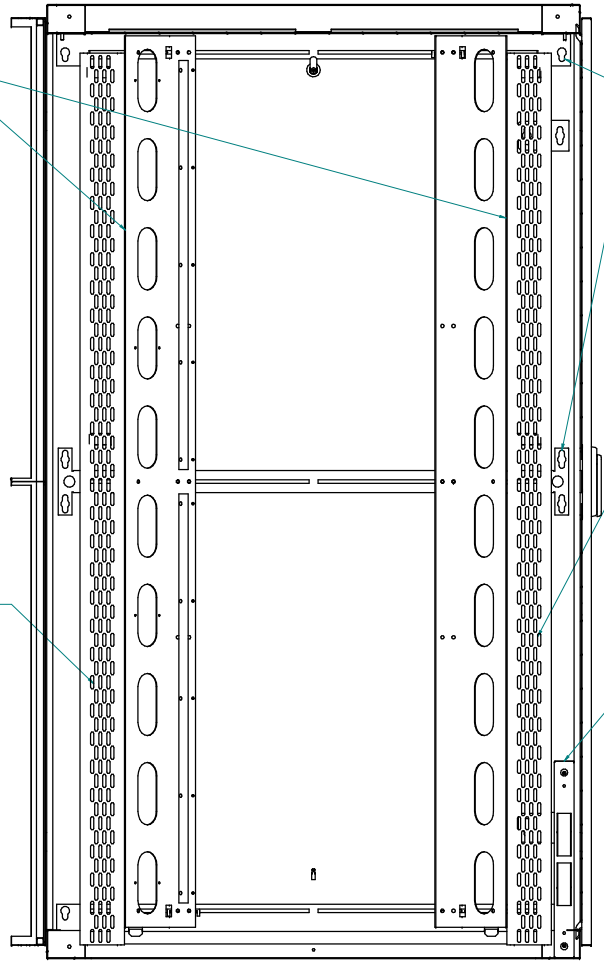
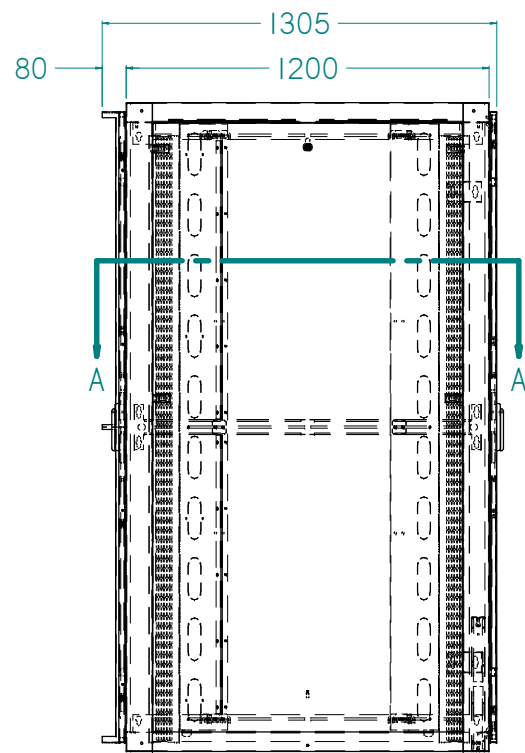
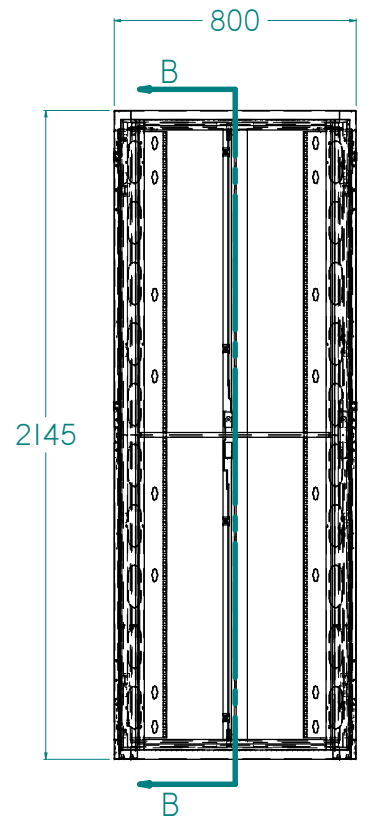


SECTION A-A

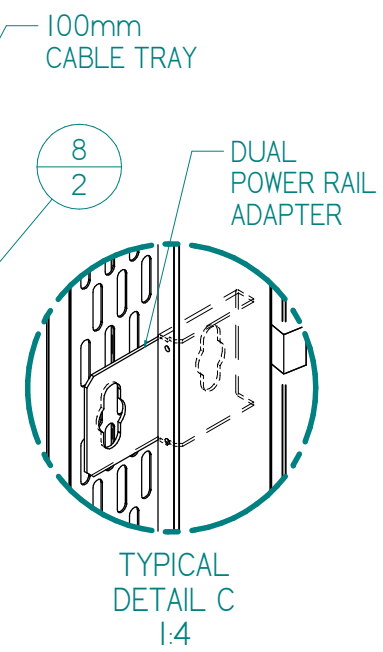
Item Number	Document Number	Revision	Title	Quantity
1	CRS-1593	0	100 X 45RU CABLE TRAY	4
2	CRS-2393	2	AIRFLOW SIDE PANEL 1200	2
3	CRS-4620	1	DOVE DOOR 45RUx800 (BLUE)	1
4	CRS-4621	0	BARNDOOR 45RUx800 WITH LOCK (RED)	1
5	CRS-4622	0	BARNDOOR 45RUx800 AIR FLOW (RED)	1
6	CRS-5099	0	ROOF BRUSH	8
7	CRS-5256	0	45RU-800 X 1200 WELDED FRAME	1
8	POWER RAIL	0	POWER RAIL	2

REV.	REVISION HISTORY	DATE
2	FIRST PRODUCTION RELEASE	9/05/2014
3	ALL ITEM NUMBERS HAVE DIFFERENT DOCUMENT NUMBER.	22/05/2014

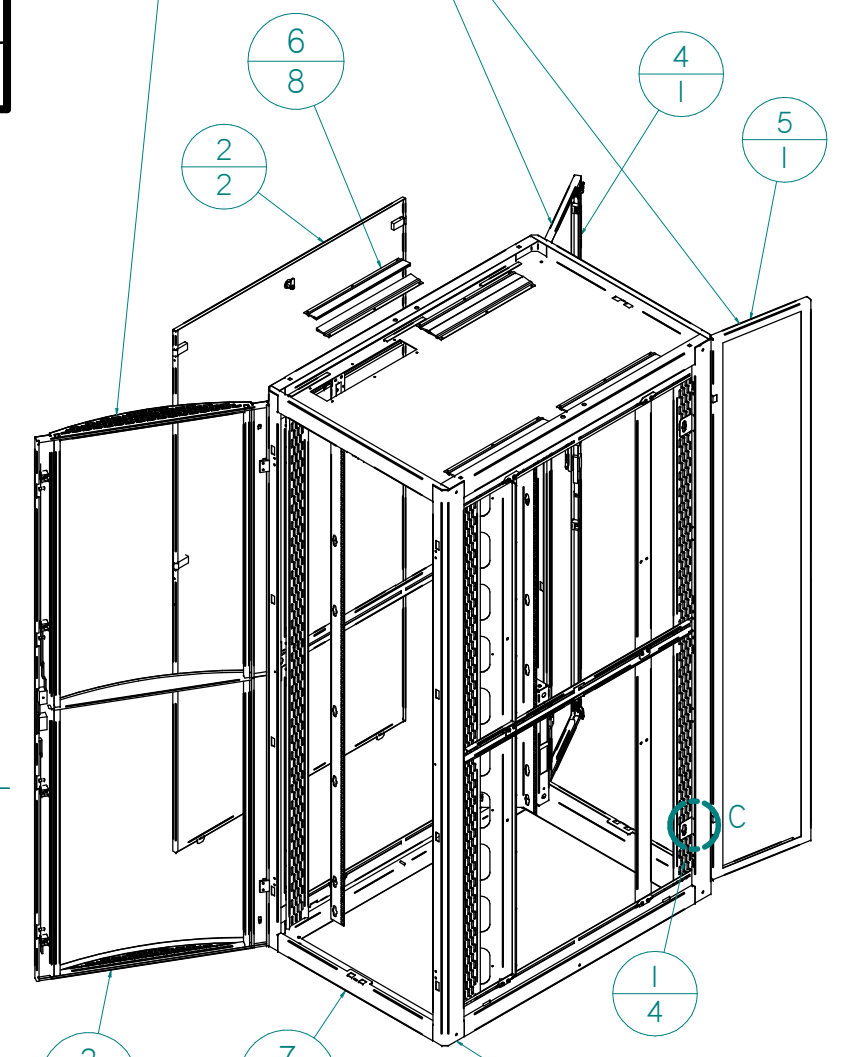
FRONT DOOR (BLUE) AND REAR DOORS (RED) ARE BOTH PERFORATED TO 80% OPEN AREA. ALL DOORS HAVE INTERNAL HINGES FITTED WITH REMOVEABLE PINS AND A 4 POINT LOCK WITH SWING HANDLE



SECTION B-B 1:17



TYPICAL DETAIL C 1:4



EXPLODED PICTORIAL VIEW NTS

ALL DOORS, SIDEPANELS AND ROOF COME WITH EARTH LEADS ATTACHED TO M6 STUDS ON WELDED FRAME.

ALL DIMENSIONS EXTERNAL UNLESS NOTED OTHERWISE

CRS
COMPUTER ROOM SOLUTIONS
WWW.CR SOLUTIONS.COM.AU

FLAT PATTERN DISCLAIMER
AS INDIVIDUAL MANUFACTURERS TOOLING MAY VARY WIDELY IT IS THE MANUFACTURERS RESPONSIBILITY TO DETERMINE CORRECT FLAT SIZES OR WHETHER THE SUPPLIED FLAT DIMENSIONS ARE ACCURATE.

DRAWN BY:	INITIAL	TOLERANCES TOLERANCES SET BY NUMBER OF DECIMAL PLACES. ie: 1 decimal - 0.0 = +/- 0.5mm 2 decimals - 0.00 = +/- 0.15mm ANGLES +/- 0.5 deg. ○ DENOTES CRITICAL DIMENSION	MATERIAL SEE B.O.M	FINISH SEE PURCHASE ORDER FOR POWDERCOAT COLOUR
CHECKED BY:	INITIAL		PROJECT AUST POST	A3
SCALE 1 : 25	SHEET 1 OF 1 AS 1100	DRAWING NO. CRS-5253	FILENAME: CRS-5253_45RUx800x1200 COMPLETE	
TITLE 45RU X 800 X 1200 GENERAL ARRANGEMENT		REV. 3	DATE 23/05/2014	