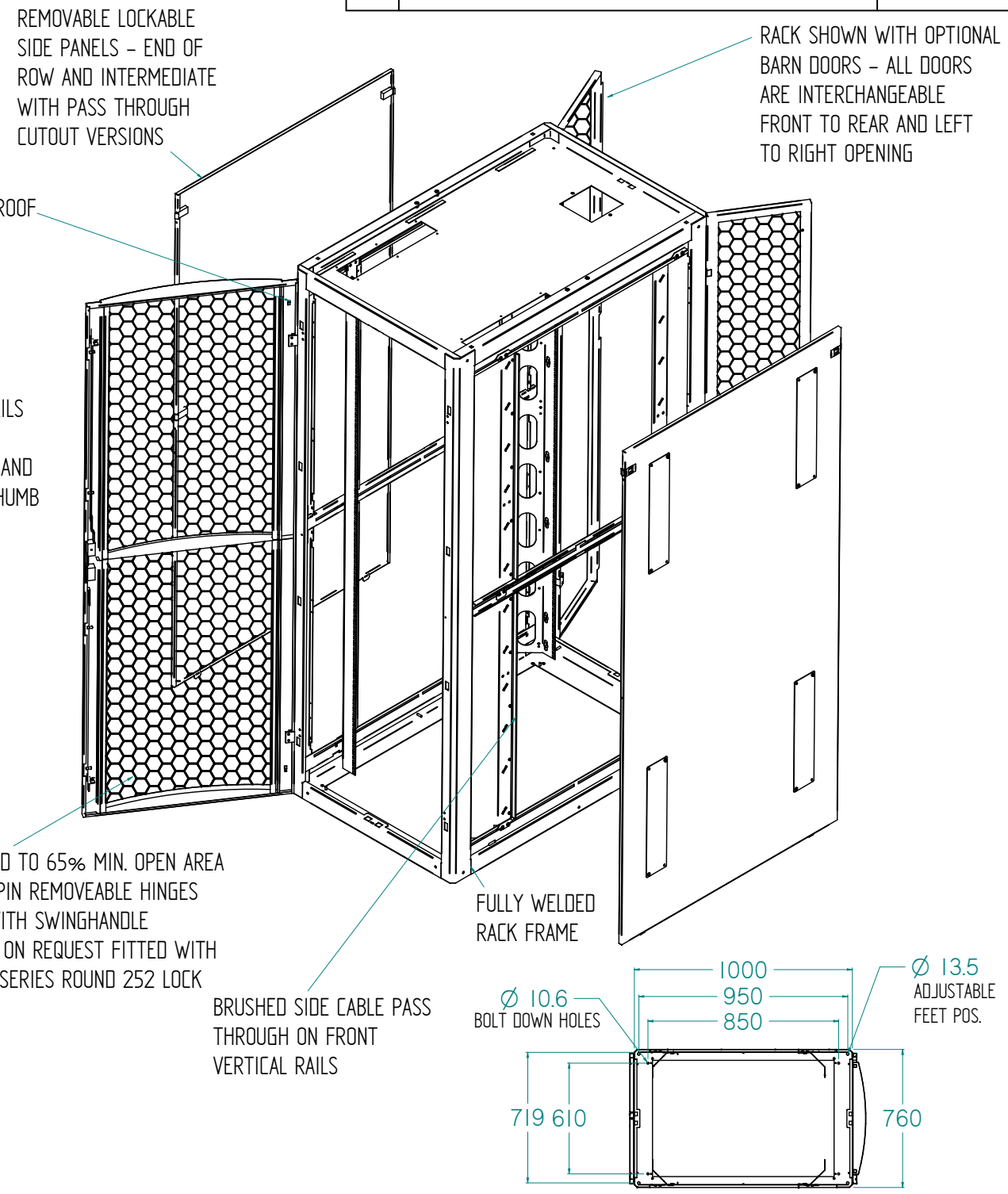
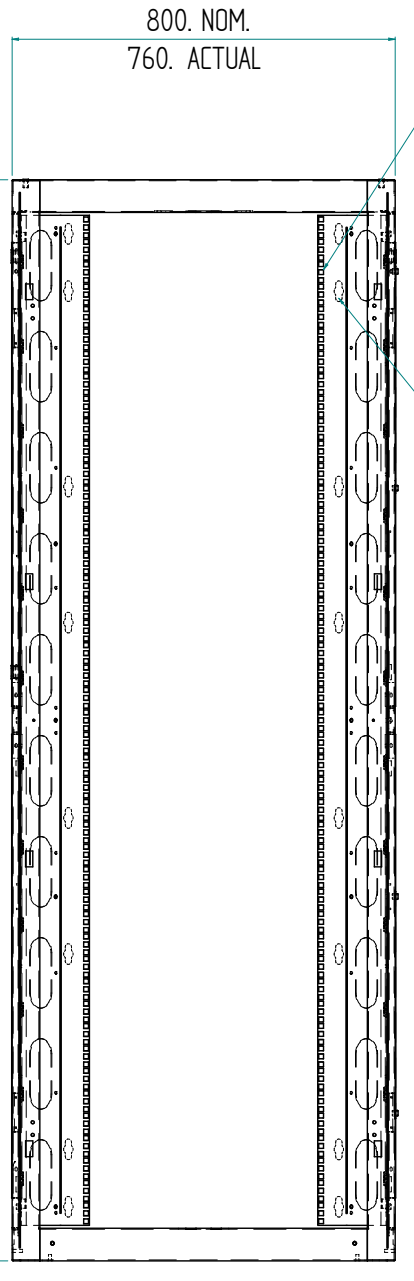
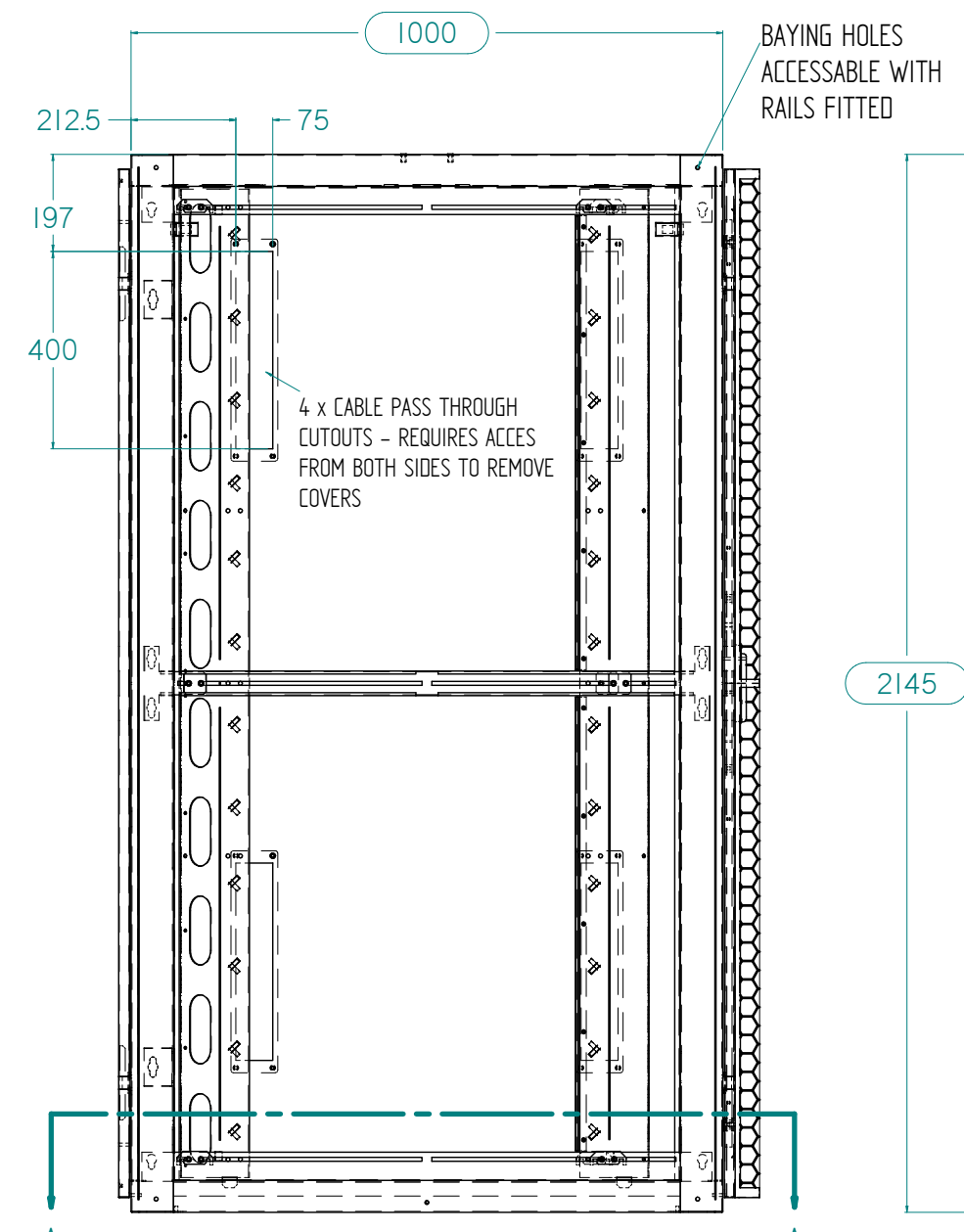


REV.	REVISION HISTORY	DATE
0	FIRST PRODUCTION RELEASE	15/06/2011



SECTION A-A
1:33
RACK FOOT PRINT DETAIL

NOTE: ALL DIMENSIONS EXTERNAL UNLESS NOTED OTHERWISE

CRS	DRAWN BY:	INITIAL	TOLERANCES TOLERANCES SET BY NUMBER OF DECIMAL PLACES. ie: 1 decimal - 0.0 = +/- 0.5mm 2 decimals - 0.00 = +/- 0.15mm ANGLES +/- 0.5 deg. ○ DENOTES CRITICAL DIMENSION	MATERIAL	FINISH	TEXTURE BLACK POWDERCOAT VERTICAL RAILS SATIN BLACK
	CHECKED BY:	INITIAL		PROJECT	SYD-3 CONFIGURATION	
FLAT PATTERN DISCLAIMER AS INDIVIDUAL MANUFACTURERS TOOLING MAY VARY WIDELY IT IS THE MANUFACTURERS RESPONSABILITY TO DETERMINE CORRECT FLAT SIZES OR WHETHER THE SUPPLIED FLAT DIMENSIONS ARE ACCURATE		SHEET 1 OF 1 AS 1100		DRAWING NO. CRS-3380 FILENAME:		TITLE AIRFLOW RACK ASSY. 45RU 800 X 1000
			REV.	DATE		0 15/06/2011