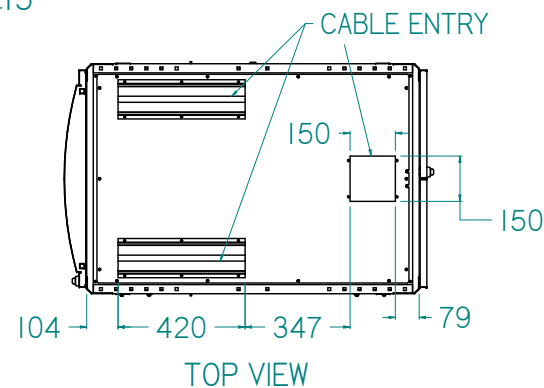
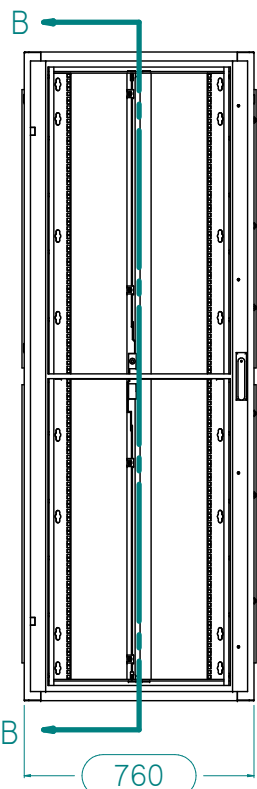


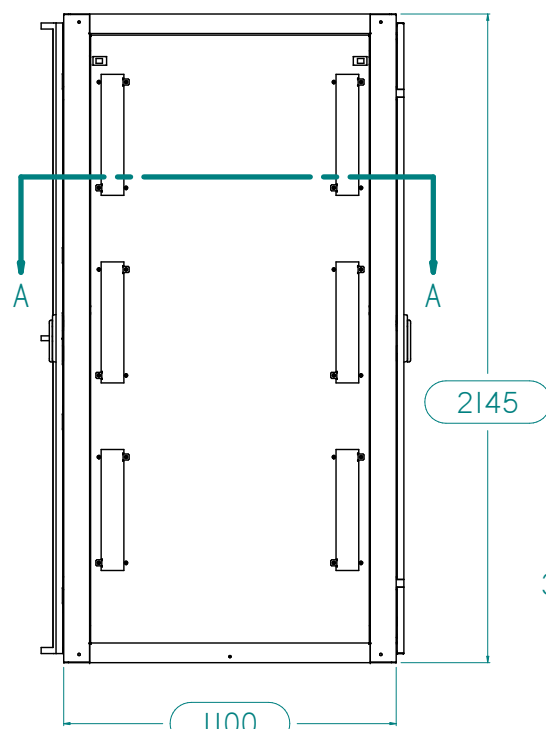
SECTION A-A
1:15



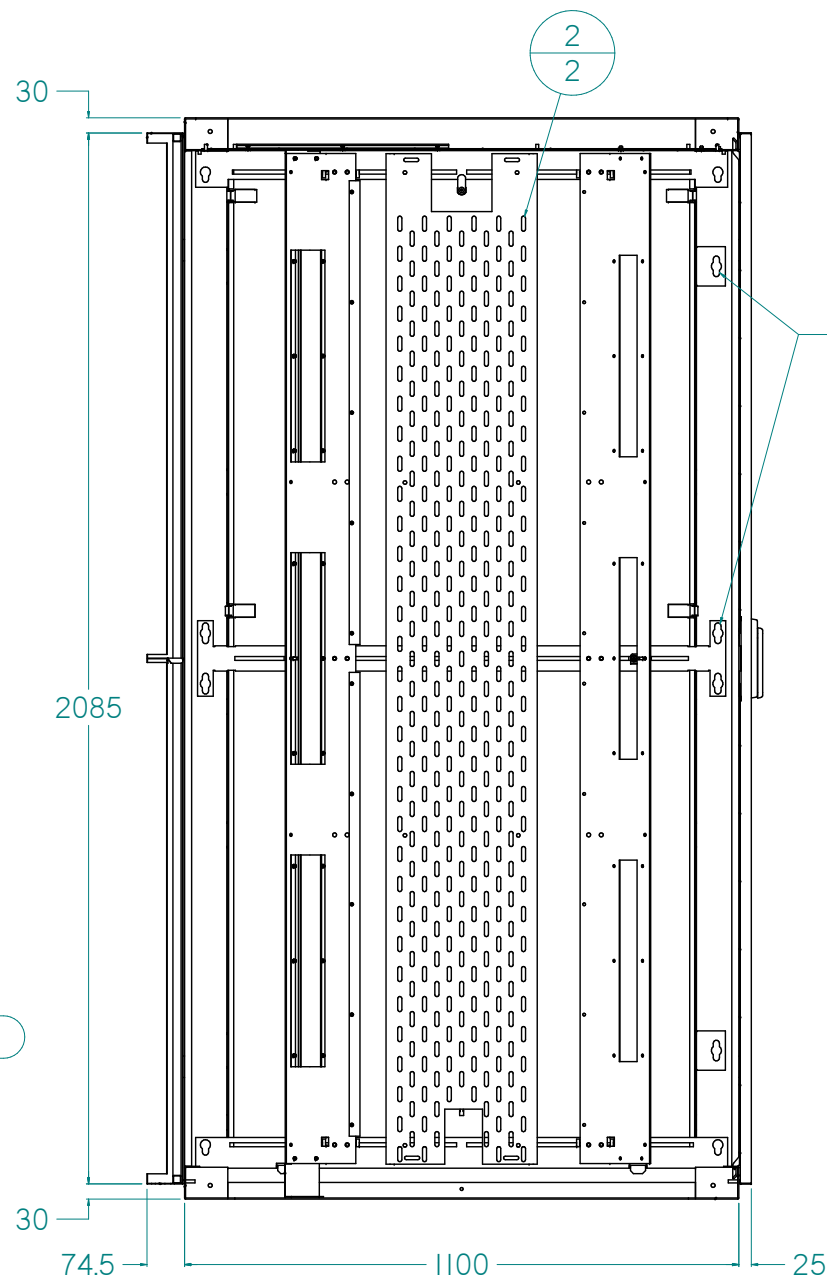
TOP VIEW



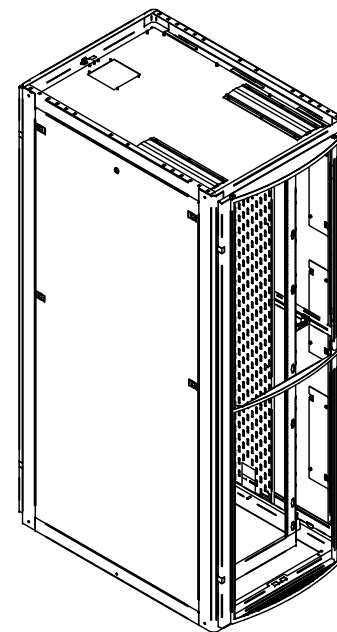
FRONT VIEW



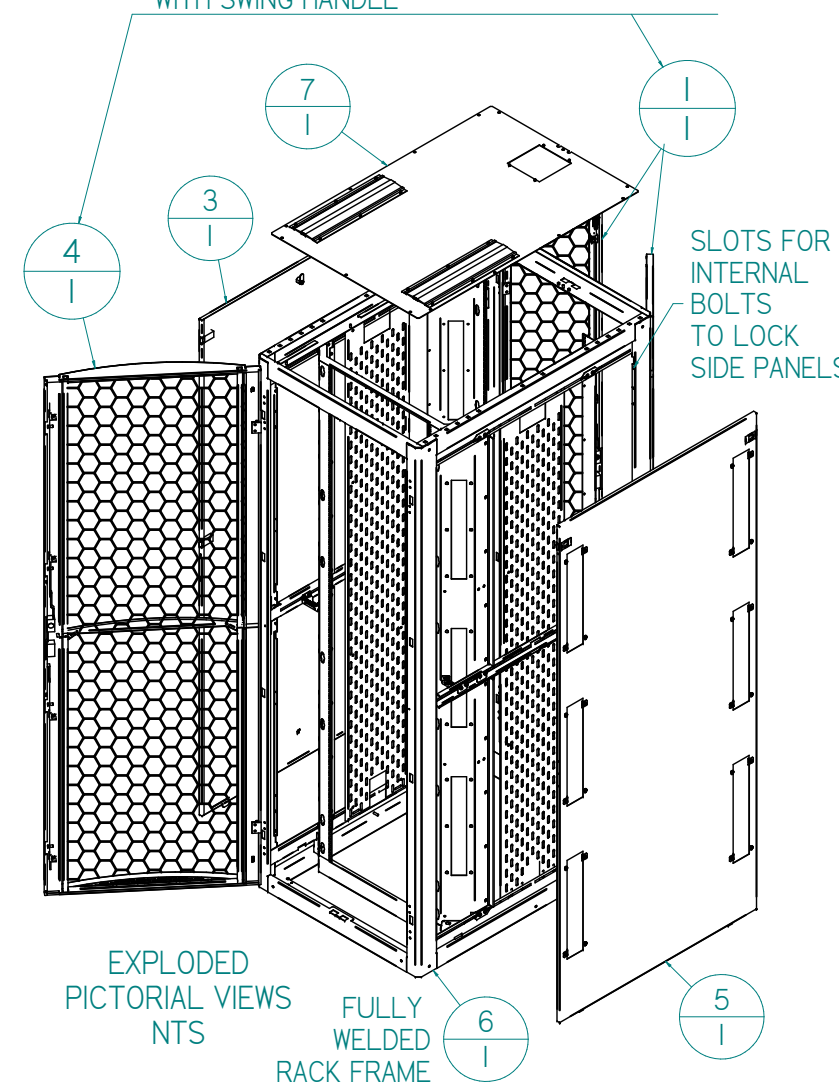
SIDE VIEW



SECTION B-B
1:15



PICTORIAL VIEWS
NTS



EXPLODED
PICTORIAL VIEWS
NTS

FULLY
WELDED
RACK FRAME

Item	Document No.	Rev.	Title	Qty.
1	CRS-2275	1	45RU BARNDOOR SET 760W AIRFLOW	1
2	CRS-2518	2	45RU x 300 W CABLE TRAY WITH	2
3	CRS-2899	3	SIDE PANEL 45RU 1100 D AIRFLOW END	1
4	CRS-3220	3	DOVE DOOR 45RU X 760	1
5	CRS-5030	0	45RU SIDE PANEL INTERMEDIATE 1100	1
6	CRS-5461	3	WELDED FRAME 45RU 760 WIDE x	1
7	CRS-6285	0	LID 760 WIDE x 1100 DEEP AFOT ASSY	1

REV.	REVISION HISTORY	DATE
0	FIRST PRODUCTION RELEASE	15/01/2016

45RU VERTICAL RAILS
CLEARLY LABELLED IN
RACK UNITS.
ADJUSTABLE BY WING
KNOBS.

PROVISION FOR
TOOL LESS
MOUNTING OF
POWER RAILS

FRONT AND REAR DOORS ARE
BOTH PERFORATED TO 63% OPEN AREA.
ALL DOORS HAVE INTERNAL HINGES FITTED
WITH REMOVEABLE PINS AND A 4 POINT LOCK
WITH SWING HANDLE

SLOTS FOR
INTERNAL
BOLTS
TO LOCK
SIDE PANELS

ALL DOORS, SIDEPANELS AND ROOF
COME WITH EARTH LEADS ATTACHED
TO M6 STUDS ON WELDED FRAME.

ALL DIMENSIONS EXTERNAL UNLESS NOTED OTHERWISE

FLAT PATTERN DISCLAIMER
AS INDIVIDUAL MANUFACTURERS TOOLING MAY VARY WIDELY IT IS THE MANUFACTURERS RESPONSIBILITY TO DETERMINE CORRECT FLAT SIZES OR WHETHER THE SUPPLIED FLAT DIMENSIONS ARE ACCURATE.

DRAWN BY:	INITIAL	TOLERANCES TOLERANCES SET BY NUMBER OF DECIMAL PLACES. ie: 1 decimal - 0.0 = +/- 0.5mm 2 decimals - 0.00 = +/- 0.15mm ANGLES +/- 0.5 deg. ○ DENOTES CRITICAL DIMENSION	MATERIAL	FINISH
	SEE B.O.M		SEE PURCHASE ORDER FOR POWDERCOAT COLOUR	
CHECKED BY:	INITIAL	DRAWING NO. CRS-6975	PROJECT	A3
	AIR FLOW OPEN TOP RACK			
SCALE 1:25	SHEET 1 OF 1 AS 1100	TITLE	FILENAME: CRS-6975_45RU 760 W x 1100 D AFOT RACK COMPLETE.csm	
			REV. 0	DATE 15/01/2016