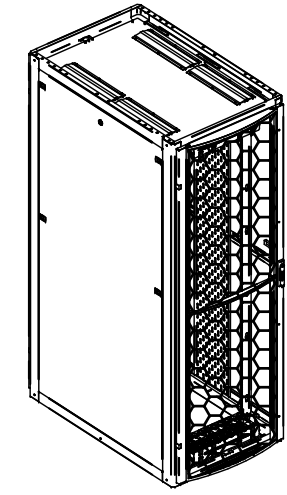
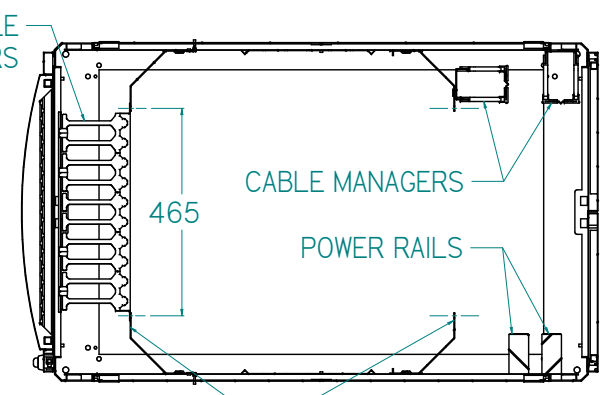
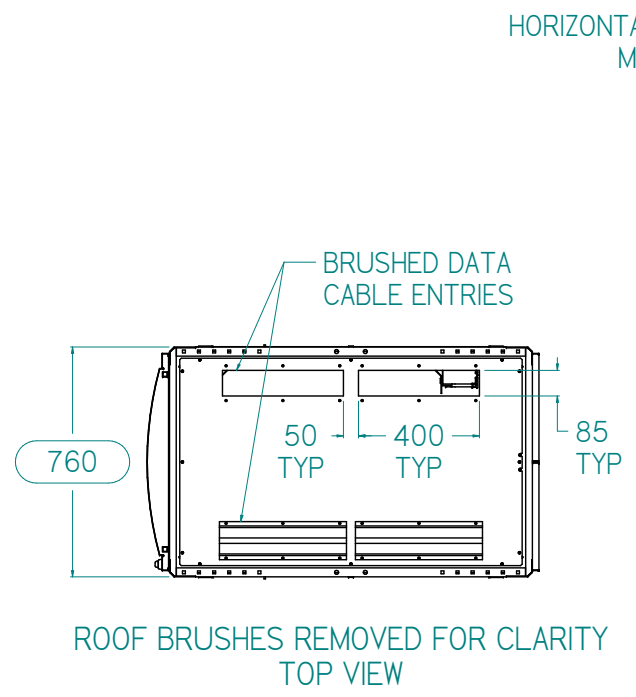
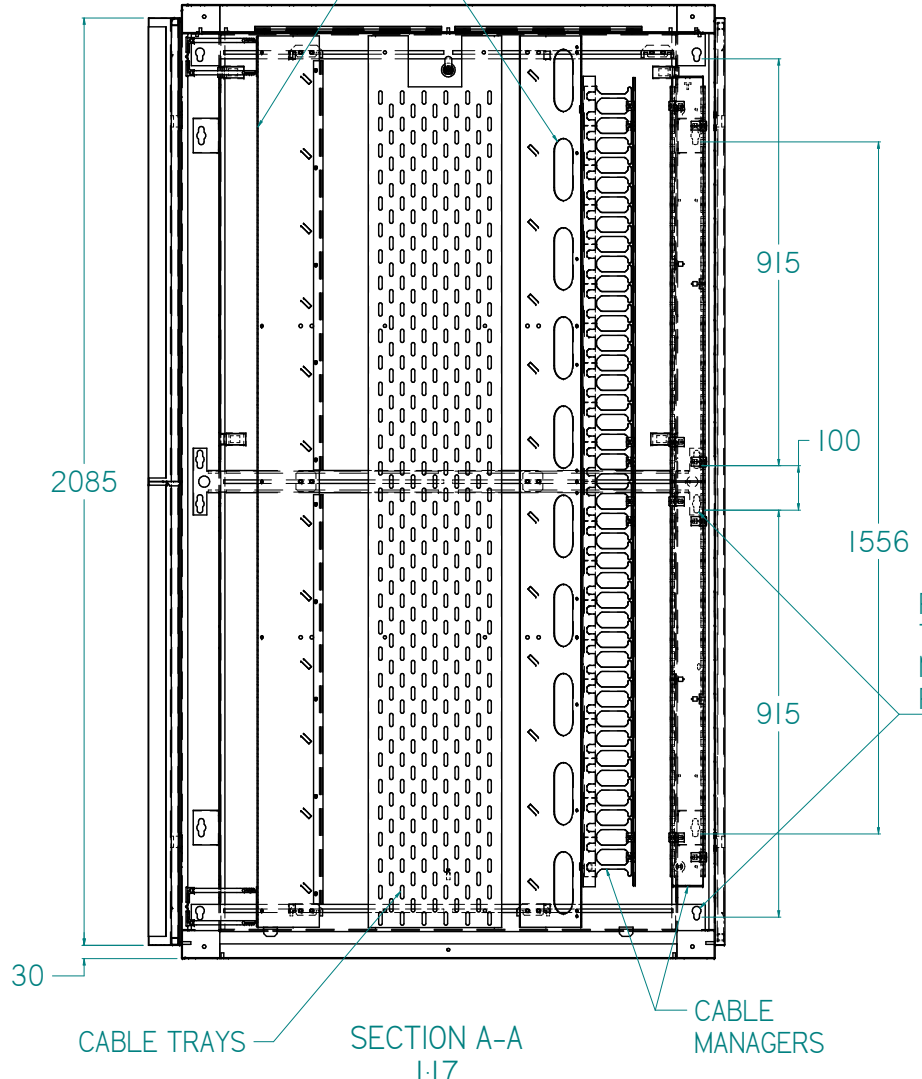
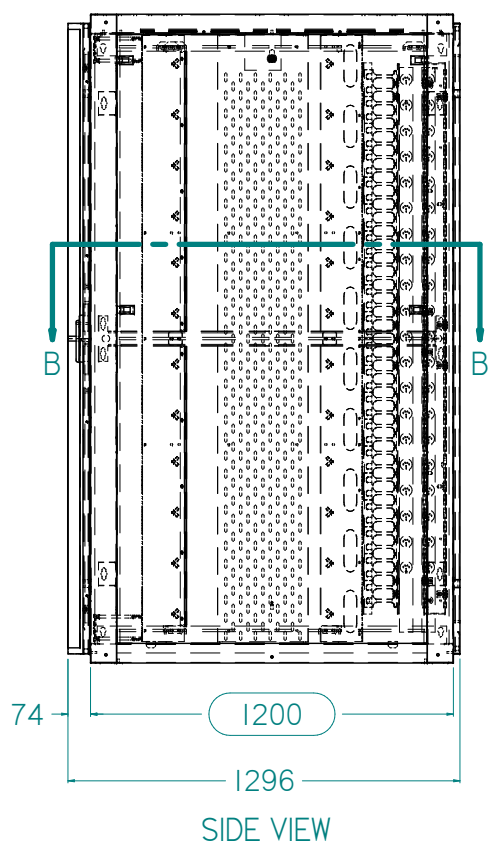
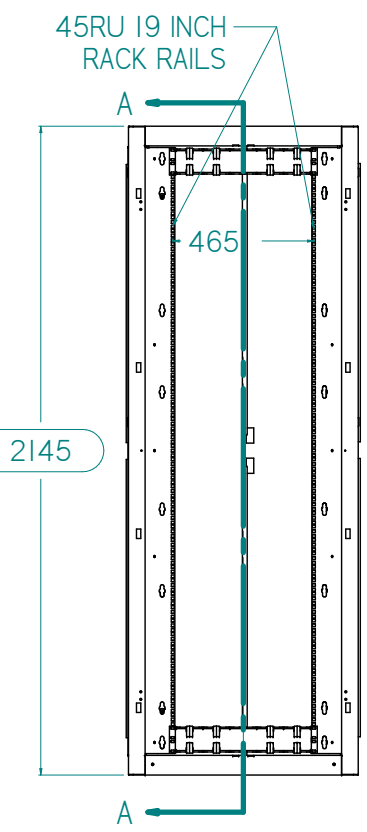


REV.	REVISION HISTORY	DATE
1	FIRST PRODUCTION RELEASE	8/09/2014



FRONT DOORS PERFORATED TO 63% OPEN AREA WITH A 4 POINT LOCKING WITH SWING HANDLE. REAR DOORS ARE SOLID. BOTH DOORS HAVE INTERNAL HINGES FITTED WITH REMOVEABLE PINS.

45RU VERTICAL RAILS
 - CLEARLY LABELLED IN RACK UNITS
 - ADJUSTABLE & SLIDE INTO PLACE
 - FASTENED BY WING KNOBS
 - NO TOOLS REQUIRED



PICTORIAL VIEW NTS

REMOVEABLE SIDE PANELS

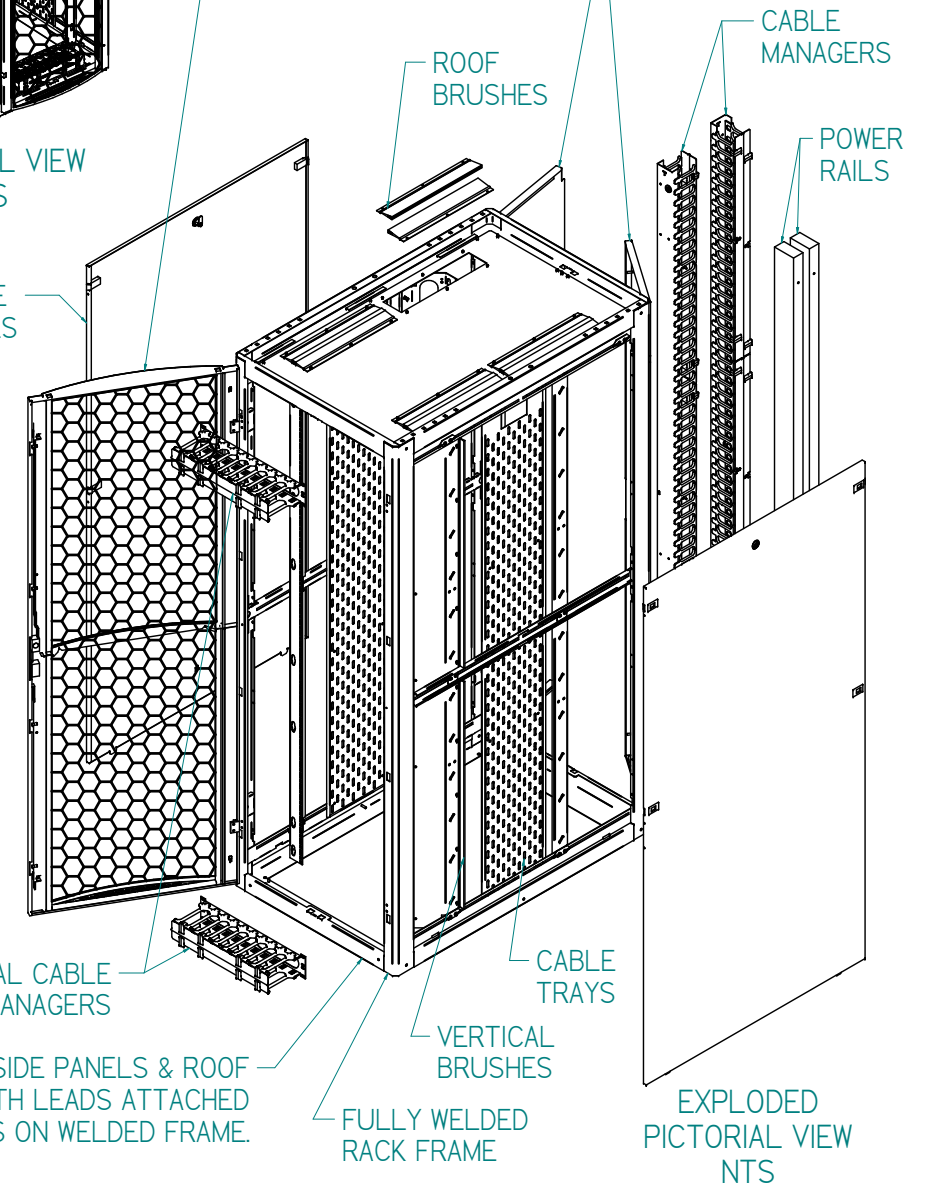
PROVISION FOR TOOLLESS MOUNTING OF POWER RAILS

HORIZONTAL CABLE MANAGERS

ALL DOORS, SIDE PANELS & ROOF COME WITH EARTH LEADS ATTACHED TO M6 STUDS ON WELDED FRAME.

FULLY WELDED RACK FRAME

EXPLODED PICTORIAL VIEW NTS



FLAT PATTERN DISCLAIMER

AS INDIVIDUAL MANUFACTURERS TOOLING MAY VARY WIDELY IT IS THE MANUFACTURERS RESPONSIBILITY TO DETERMINE CORRECT FLAT SIZES OR WHETHER THE SUPPLIED FLAT DIMENSIONS ARE ACCURATE.

DRAWN BY:	INITIAL	TOLERANCES TOLERANCES SET BY NUMBER OF DECIMAL PLACES. ie: 1 decimal - 0.0 = +/- 0.5mm 2 decimals - 0.00 = +/- 0.15mm ANGLES +/- 0.5 deg. ○ DENOTES CRITICAL DIMENSION	MATERIAL	FINISH SEE PURCHASE ORDER FOR POWDERCOAT COLOUR
	CHECKED BY:		INITIAL	PROJECT FOXTEL
SCALE 1:25	SHEET 1 OF 1 AS 1100	DRAWING NO. CRS-5712	FILENAME: CRS-5712_45RU 760 x 1200 AIR FLOW RACK COMPLETE.dwg	
TITLE 45RU 760 x 1200 AIR FLOW RACK COMPLETE		REV. 1	DATE 10/09/2014	

ALL DIMENSIONS EXTERNAL UNLESS NOTED OTHERWISE