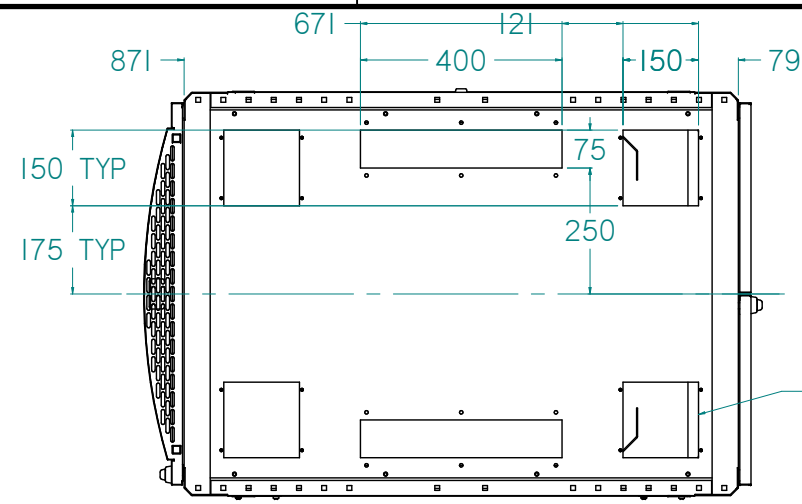
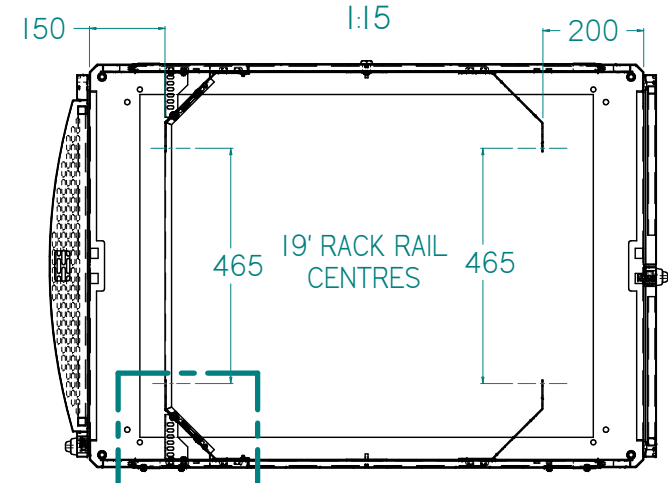


Item	Document No.	Rev.	Title	Qty.
1	CRS-3955	3	STANDARD ROOF BRUSH 420mm	16
2	CRS-4121	2	DOVE DOOR 48RU X 800	1
3	CRS-4131	0	48RU AIR FLOW BRUSH-TOP-BOT 953mm	4
4	CRS-4361	0	48RU X 1100 HALFSIDE PANEL AFCD	2
5	CRS-4362	0	48RUX1100 HALFSIDE	2
6	CRS-4768	0	BARNDOOR SET-48RUX800E	1
7	CRS-6002	1	WELDED FRAME 48RU 800 WIDE x 1100	1
8	CRS-7526	0	LID 800e WIDE x 1100 DEEP AFOT ASSY	1
9	M4	0	M4 BOLT-WASHER-NUT	8
10	RAGEEM 112	-	PLASTIC CANOE CLIP 5.5 HOLE RAGEEM	58

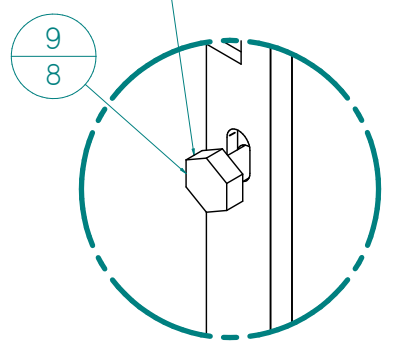
REV.	REVISION HISTORY	DATE
0	FIRST PRODUCTION RELEASE	7/01/2015
1	ITEMS 6 & 8 NEW. ITEMS 1, 2 & 7 REVISED.	21/06/2016



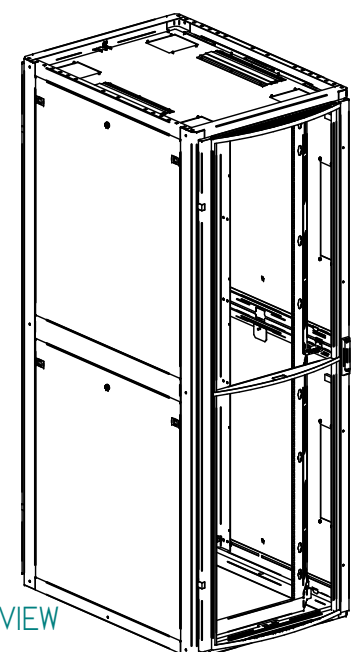
BRUSHES & CUTOUT COVER REMOVED FOR CLARITY
TOP VIEW
1:15



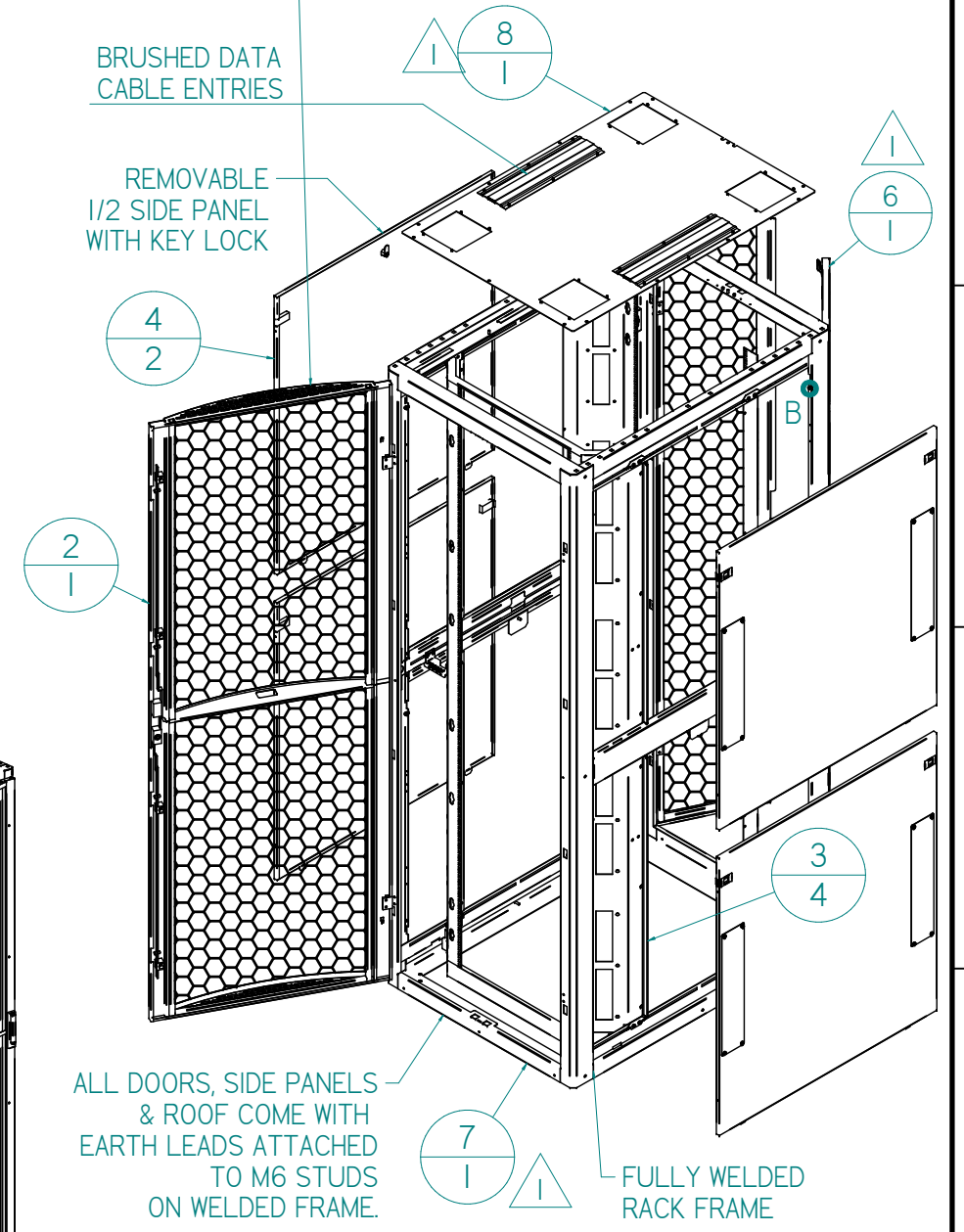
SECTION A-A
1:15



TYPICAL
DETAIL B
1:1

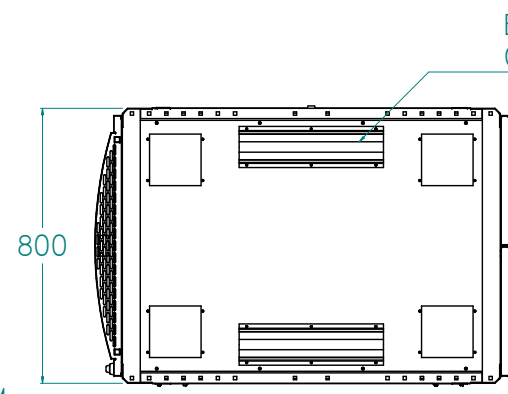


PICTORIAL VIEW
NTS

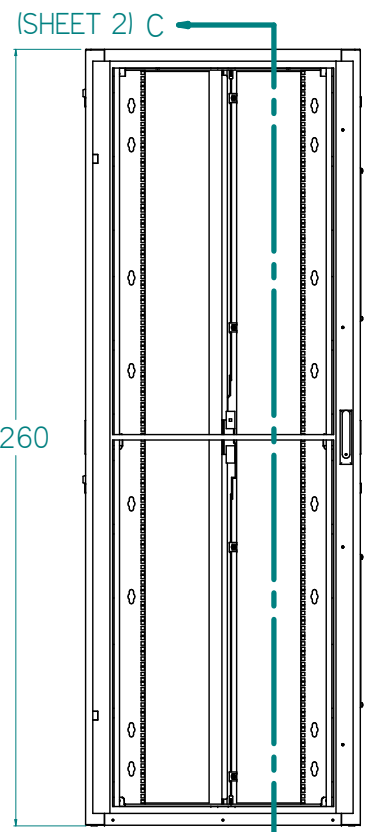


EXPLODED
PICTORIAL VIEW
NTS

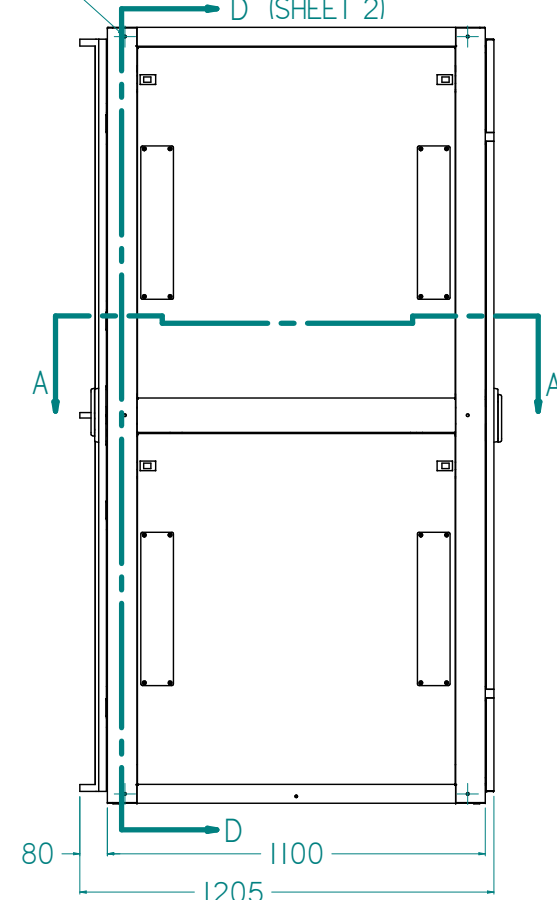
INTERMEDIATE
1/2 SIDE PANEL



TOP VIEW



FRONT VIEW



SIDE VIEW

ALL DIMENSIONS EXTERNAL UNLESS NOTED OTHERWISE

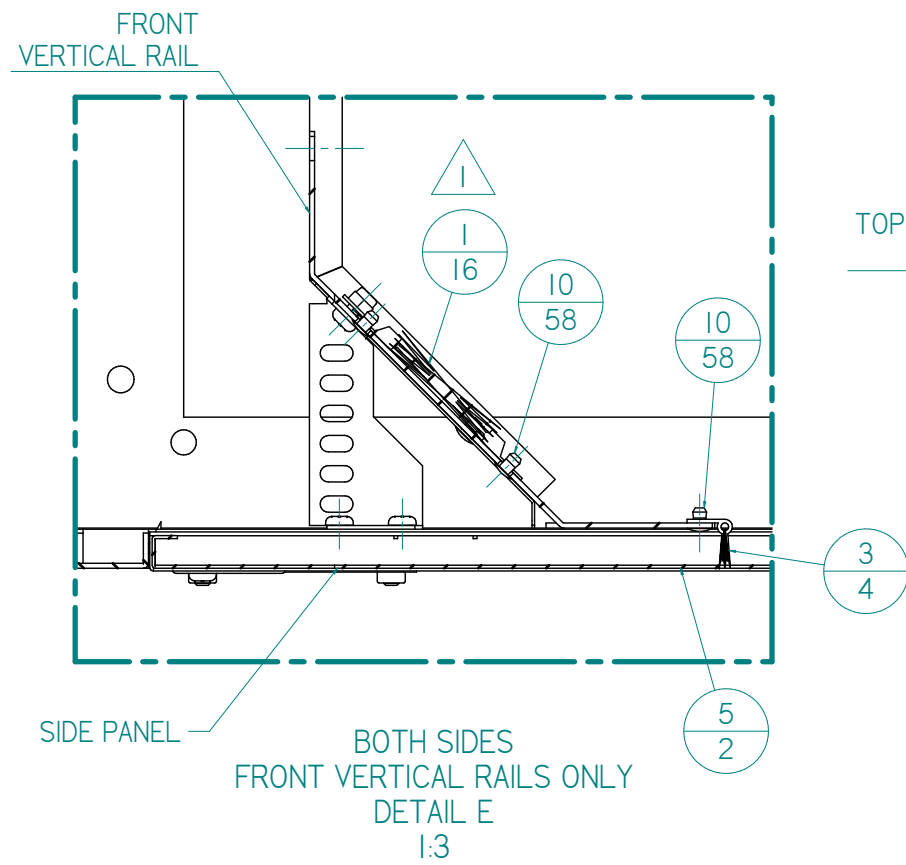


FLAT PATTERN DISCLAIMER

AS INDIVIDUAL MANUFACTURERS TOOLING MAY VARY WIDELY IT IS THE MANUFACTURERS RESPONSIBILITY TO DETERMINE CORRECT FLAT SIZES OR WHETHER THE SUPPLIED FLAT DIMENSIONS ARE ACCURATE.

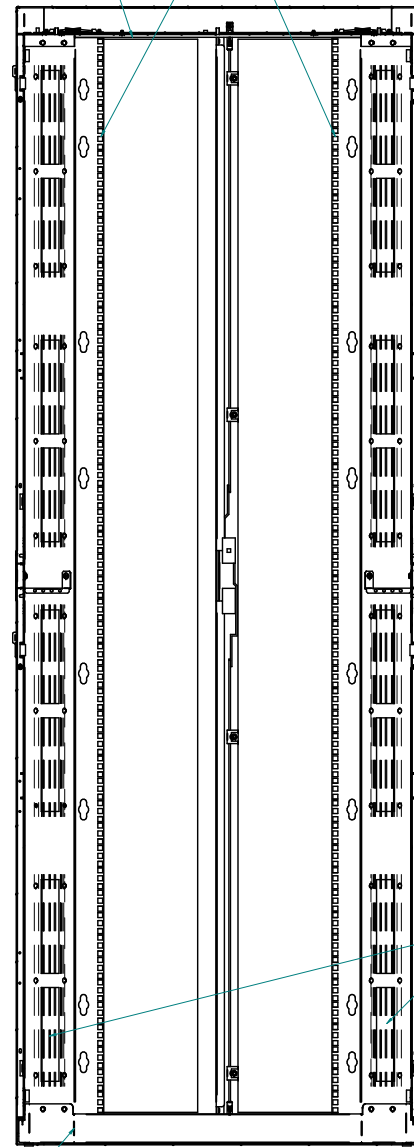
DRAWN BY:	INITIAL	TOLERANCES TOLERANCES SET BY NUMBER OF DECIMAL PLACES. ie: 1 decimal - 0.0 = +/- 0.5mm 2 decimals - 0.00 = +/- 0.15mm ANGLES +/- 0.5 deg. ○ DENOTES CRITICAL DIMENSION	MATERIAL SEE B.O.M	FINISH SEE PURCHASE ORDER FOR POWDERCOAT COLOUR
	CHECKED BY:			
SCALE 1:22	SHEET 1 OF 2 AS 1100	DRAWING NO. CRS-6001	PROJECT 48RU AIR FLOW RACK OPEN TOP	A3
TITLE 48RU 800 WIDE x 1100 DEEP AIR FLOW OPEN TOP COMPLETE RACK ASSY		FILENAME: CRS-6001_48RU 800 x 1100 D AFOT COMPLETE RACK ASSY.dwg	REV. 1	DATE 21/06/2016

REV.	REVISION HISTORY	DATE
0	FIRST PRODUCTION RELEASE	7/01/2015
1	ITEMS 6 & 8 NEW. ITEMS 1, 2 & 7 REVISED.	21/06/2016



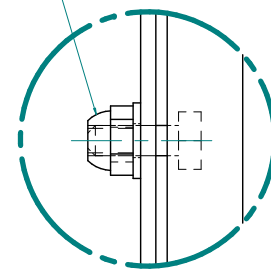
48RU VERTICAL RAILS
 - FRONT & REAR
 - CLEARLY LABELLED IN RACK UNITS
 - ADJUSTABLE & SLIDE INTO PLACE
 - FASTENED BY WING KNOBS
 - NO TOOLS REQUIRED

TOP BLANKING PANEL
 FRONT ONLY



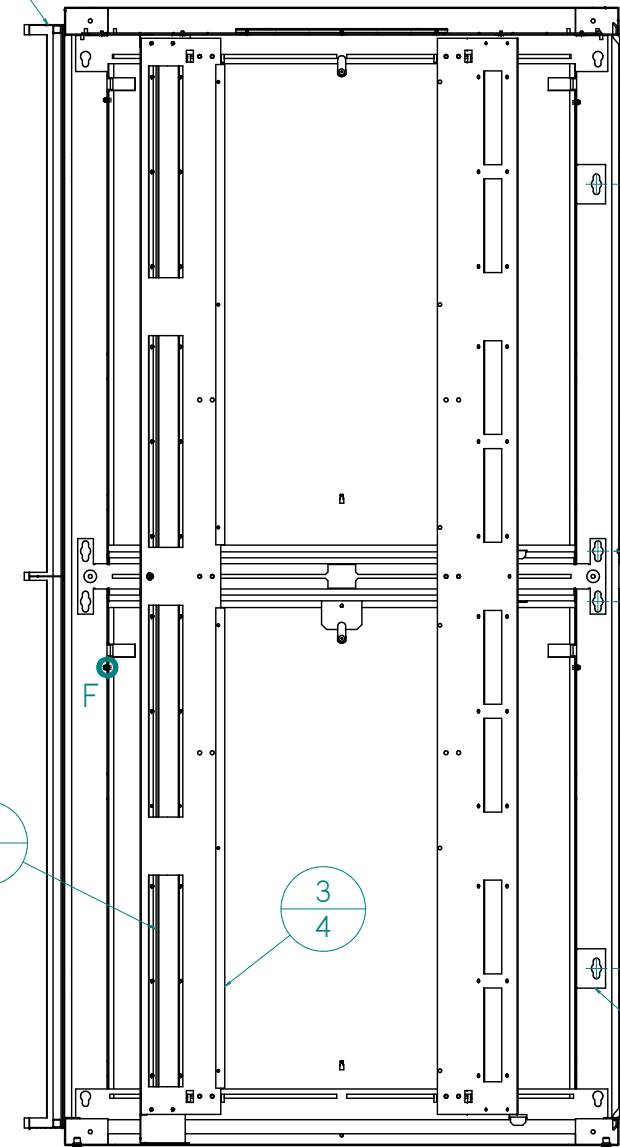
BOTTOM BLANKING PANEL
 FRONT ONLY

INTERNAL BOLTS
 TO LOCK
 SIDE PANELS



TYPICAL
 DETAIL F
 1:1

FRONT
 DOME DOOR



SIDE VIEW
 SECTION C-C
 1:15

ALL DIMENSIONS EXTERNAL UNLESS NOTED OTHERWISE

 COMPUTER ROOM SOLUTIONS WWW.CR SOLUTIONS.COM.AU FLAT PATTERN DISCLAIMER AS INDIVIDUAL MANUFACTURERS TOOLING MAY VARY WIDELY IT IS THE MANUFACTURERS RESPONSIBILITY TO DETERMINE CORRECT FLAT SIZES OR WHETHER THE SUPPLIED FLAT DIMENSIONS ARE ACCURATE.	DRAWN BY: [INITIAL] CHECKED BY: [INITIAL]	TOLERANCES TOLERANCES SET BY NUMBER OF DECIMAL PLACES. ie: 1 decimal - 0.0 = +/- 0.5mm 2 decimals - 0.00 = +/- 0.15mm ANGLES +/- 0.5 deg. ○ DENOTES CRITICAL DIMENSION	MATERIAL: [] FINISH: [] PROJECT: 48RU AIR FLOW RACK OPEN TOP	A3
	SCALE 1:22 SHEET 2 OF 2 AS 1100	DRAWING NO. CRS-6001 FILENAME: CRS-6001_48RU 800 x 1100 D AFOT COMPLETE RACK ASSY.dwg	TITLE: 48RU 800 WIDE x 1100 DEEP AIR FLOW OPEN TOP COMPLETE RACK ASSY	REV. 1 DATE 21/06/2016