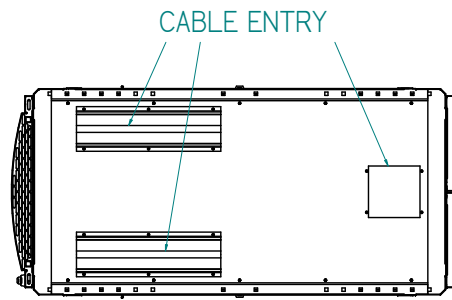
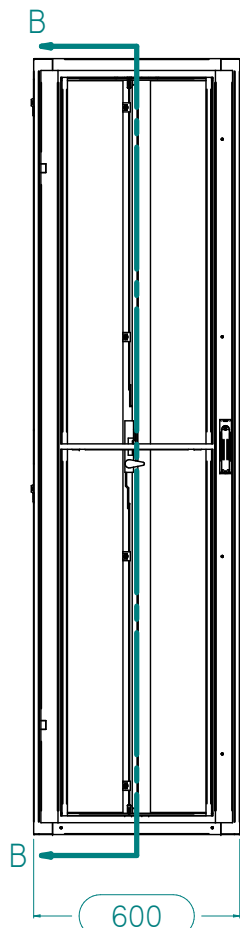


INTERNAL TOP VIEW
SECTION A-A
1:15

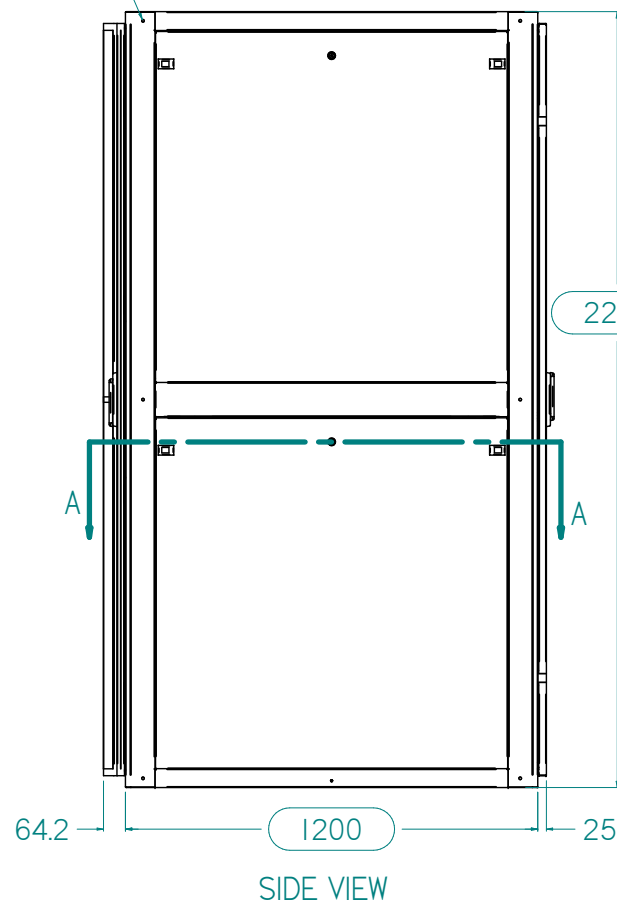


TOP VIEW

BAYING HOLES
TOP & BOTTOM
FRONT & REAR

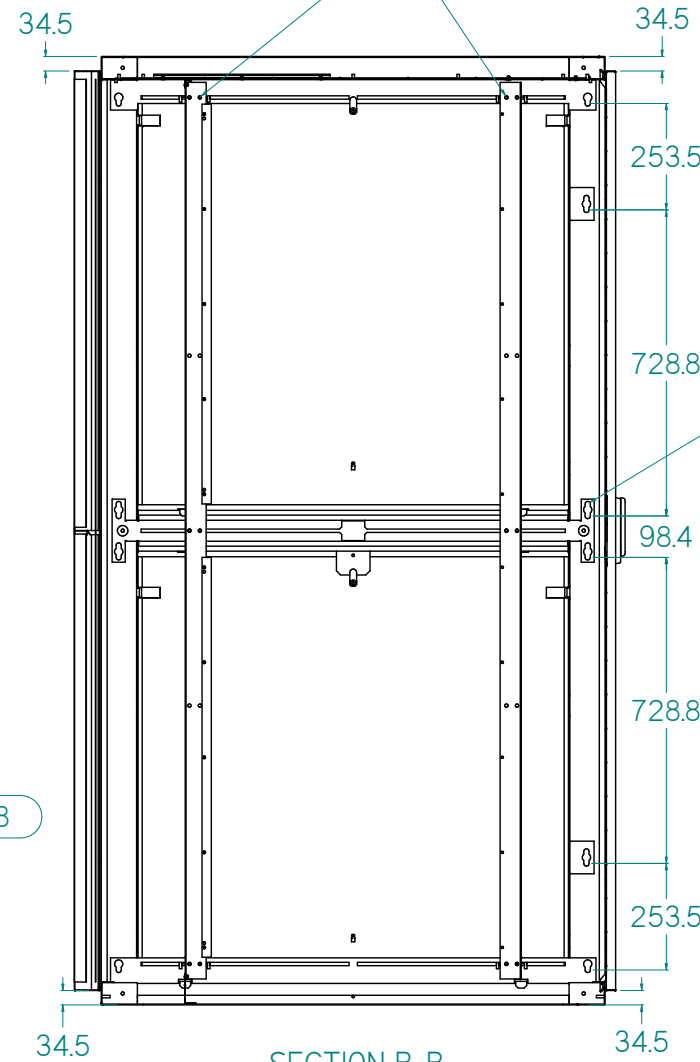


FRONT VIEW



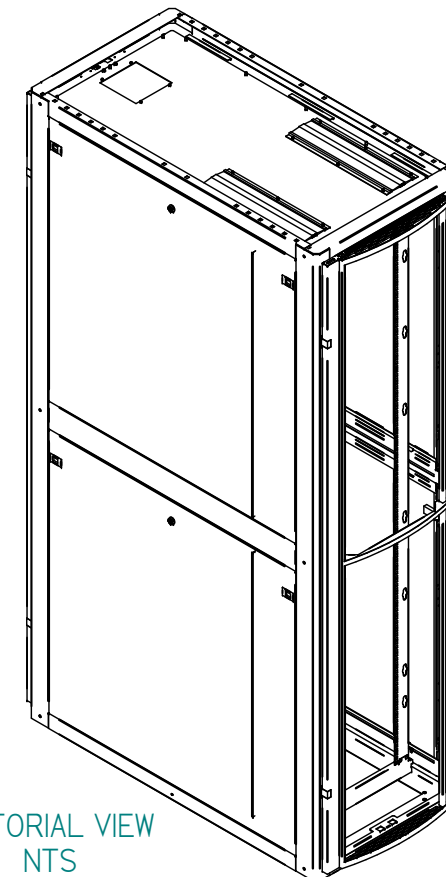
SIDE VIEW

48RU VERTICAL RAILS CLEARLY LABELLED IN
RACK UNITS. ADJUSTABLE BY WING KNOBS.



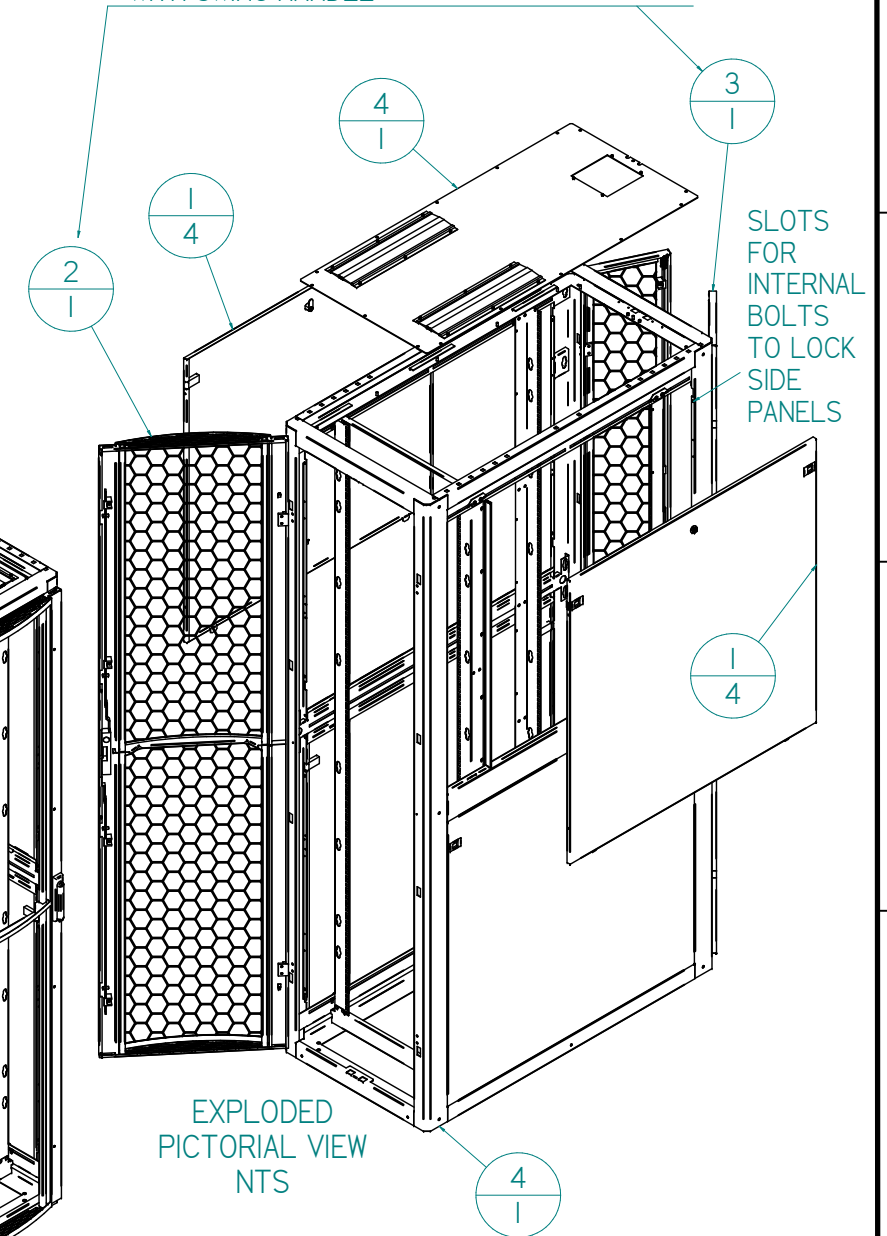
SECTION B-B
1:18

PROVISION FOR
TOOL LESS
MOUNTING OF
POWER RAILS



PICTORIAL VIEW
NTS

FRONT AND REAR DOORS ARE
BOTH PERFORATED TO 63% OPEN AREA.
ALL DOORS HAVE INTERNAL HINGES FITTED
WITH REMOVEABLE PINS AND A 4 POINT LOCK
WITH SWING HANDLE



EXPLODED
PICTORIAL VIEW
NTS

Item	Document No.	Rev.	Title	Qty.
1	CRS-4106	1	HALF SIDE PANEL 48RU 1200 DEEP END OF ROW	4
2	CRS-8784	0	DOME DOOR WITH SOLENOID HANDLE 48RU 600 WIDE	1
3	CRS-8785	0	BARN DOOR SET SOLENOID HANDLE 48RU 600 WIDE	1
4	CRS-9452	0	FINAL RACK FRAME 48RU 600 W x 1200 D AFOT	1

Rev	REVISION HISTORY	NAME	DATE
0	FIRST DESIGN RELEASE	M J	5/11/2018

ALL DOORS, SIDEPANELS AND ROOF COME WITH EARTH LEADS
ATTACHED TO M6 STUDS ON WELDED FRAME.

ALL DIMENSIONS EXTERNAL UNLESS NOTED OTHERWISE

CRS
COMPUTER ROOM SOLUTIONS
WWW.CR SOLUTIONS.COM.AU

FLAT PATTERN DISCLAIMER
AS INDIVIDUAL MANUFACTURERS TOOLING MAY VARY WIDELY, IT IS THE MANUFACTURERS RESPONSIBILITY
TO DETERMINE CORRECT FLAT SIZES OR WHETHER THE SUPPLIED FLAT DIMENSIONS ARE ACCURATE

DRAWN BY: M J	INITIAL	TOLERANCES SET BY NUMBER OF DECIMAL PLACES, IE: 0 DECIMAL - 0 = +/- 0.5 mm 1 DECIMAL - 0.0 = +/- 0.2 mm 2 DECIMALS - 0.00 = +/- 0.1 mm ANGLES +/- 0.5 DEG. DENOTES CRITICAL DIMENSION	MATERIAL SEE B.O.M	FINISH SEE PURCHASE ORDER FOR POWDERCOAT COLOUR
	CHECKED BY: INITIAL		PROJECT 48RU AIR FLOW OPEN TOP	A3
SCALE 1:22	SHEET 1 OF 1 AS 1100	DRAWING NO CRS-9451	FILENAME CRS-9451_48RU 600 W x 1200 D COMPLETE AFOT SOLENOID HANDLES.assm	
TITLE 48RU 600 WIDE x 1200 DEEP COMPLETE AFOT WITH SOLENOID HANDLES ASSY		Rev 0	DATE 5/11/2018	