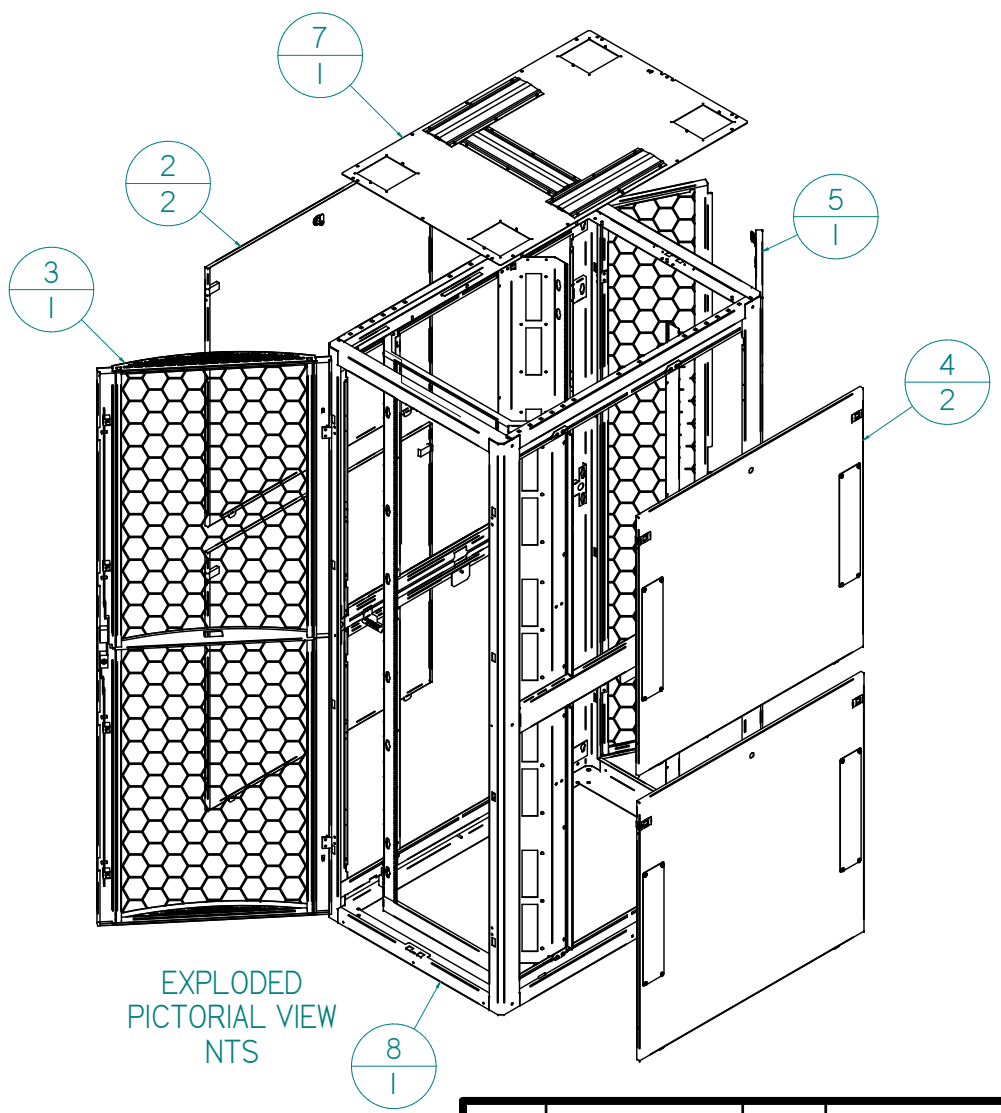
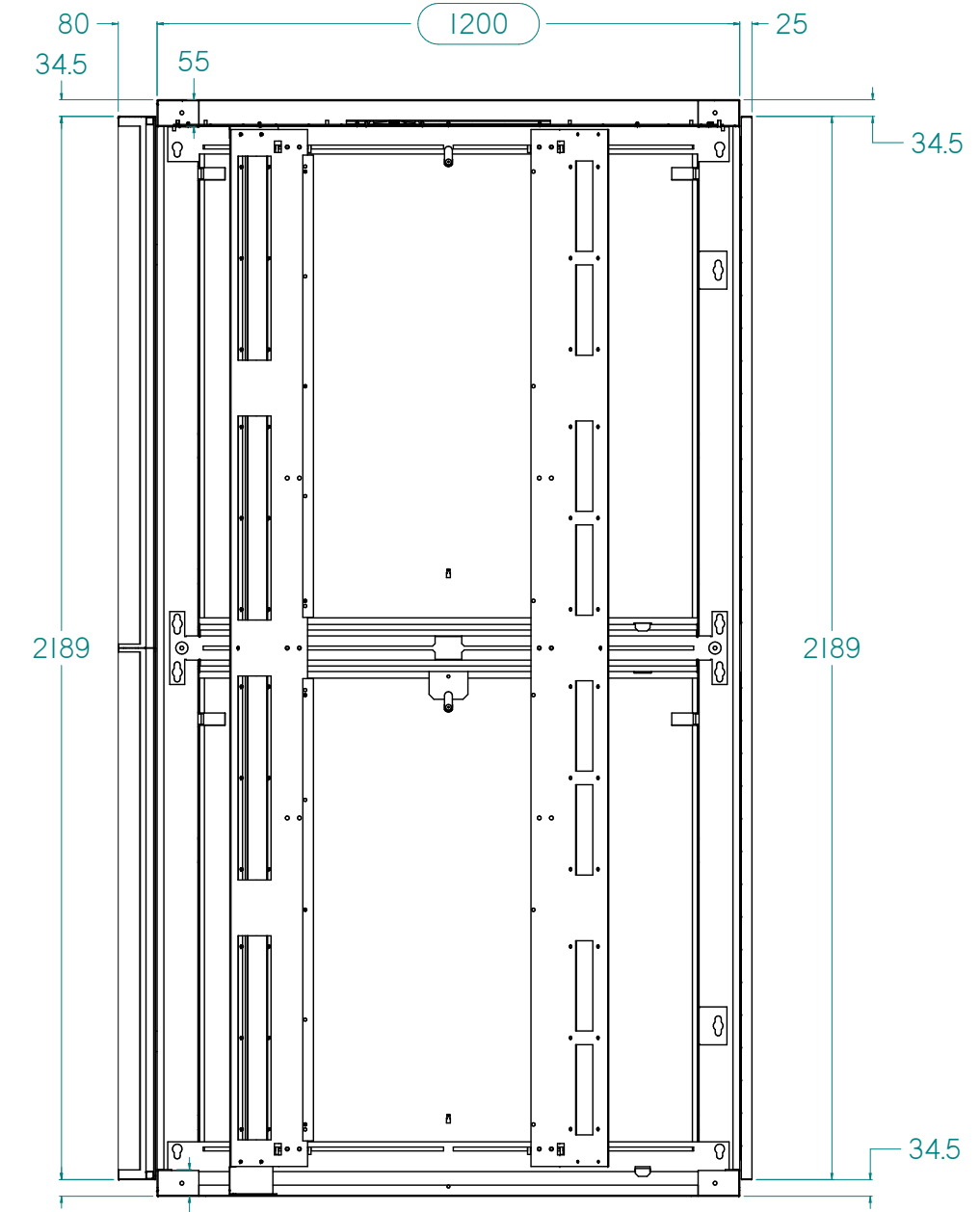
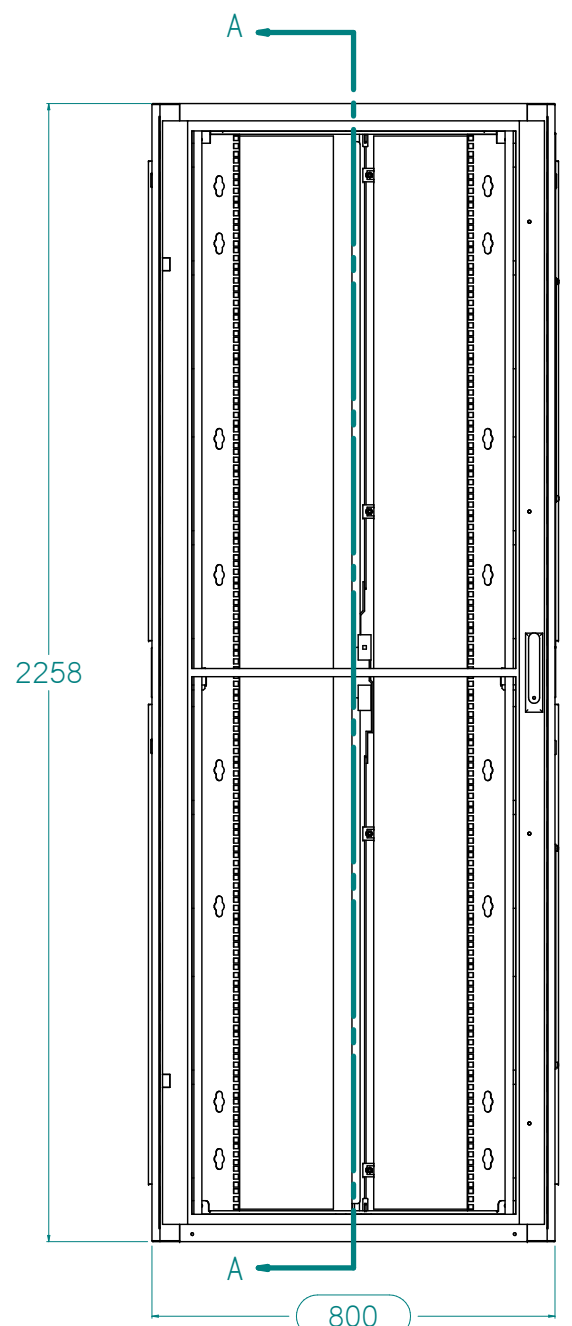
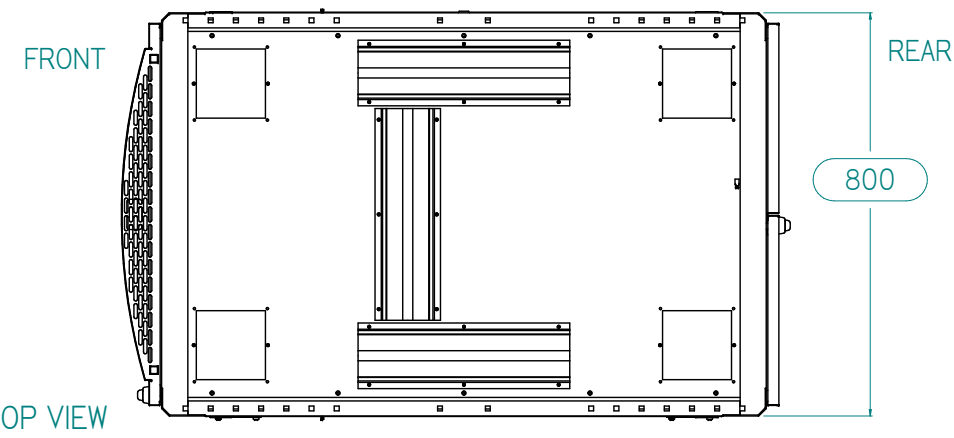


REV.	REVISION HISTORY	DATE
0	FIRST PRODUCTION RELEASE	24/06/2016



Item	Document No.	Rev.	Title	Qty.
1	CRS-3955	3	STANDARD ROOF BRUSH 420mm	16
2	CRS-4106	0	48RUX1200 HALF SIDE PANEL AF- EOR	2
3	CRS-4121	2	DOOME DOOR 48RU X 800	1
4	CRS-4241	2	HALF SIDE PANEL-INTERMEDIATE 48RU x 1200	2
5	CRS-4768	1	BARNDOOR SET 48RU x 800 e WIDE	1
6	CRS-6159	2	BRUSH 48RU 3 AND 5 HOLE	4
7	CRS-7532	1	LID 800e x 1200 DEEP AFOT	1
8	CRS-7548	0	WELDED FRAME 48RU 800e x 1200 DEEP	1
9	RAGEEM 112	-	PLASTIC CANOE CLIP 5.5 HOLE RAGEEM	60

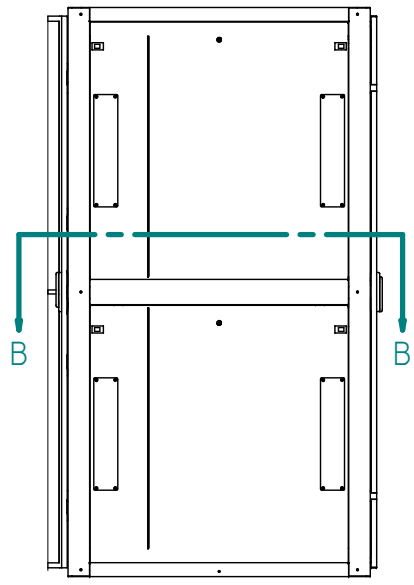
ALL DIMENSIONS EXTERNAL UNLESS NOTED OTHERWISE

CRS
COMPUTER ROOM SOLUTIONS
WWW.CR SOLUTIONS.COM.AU

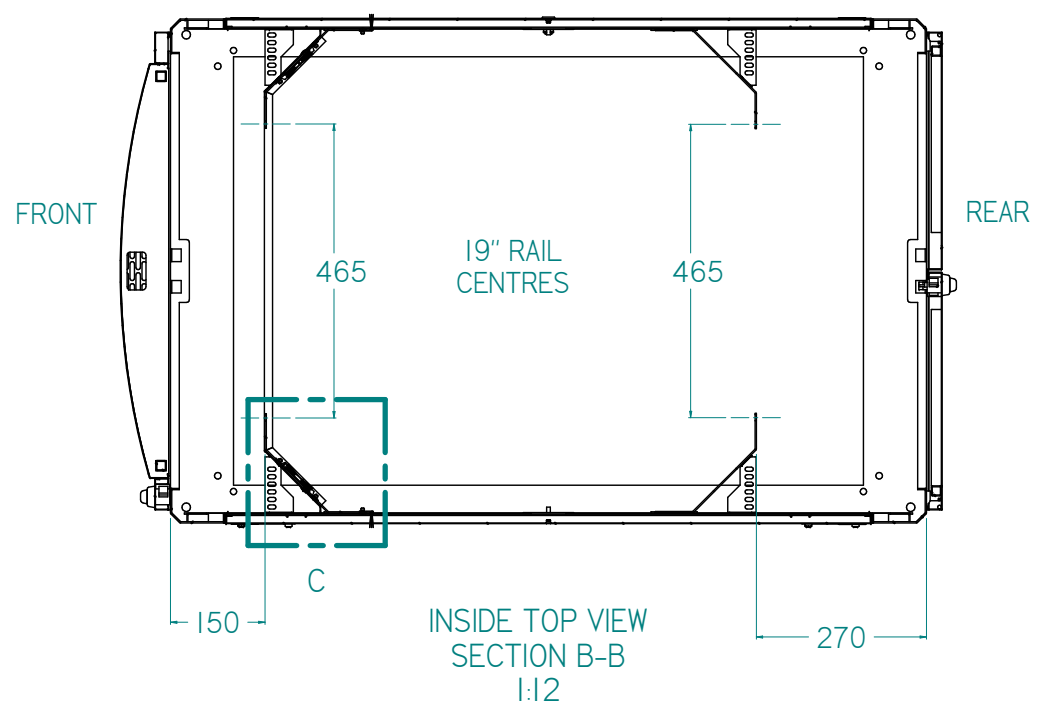
FLAT PATTERN DISCLAIMER
AS INDIVIDUAL MANUFACTURERS TOOLING MAY VARY WIDELY IT IS THE MANUFACTURERS RESPONSIBILITY TO DETERMINE CORRECT FLAT SIZES OR WHETHER THE SUPPLIED FLAT DIMENSIONS ARE ACCURATE.

DRAWN BY:	INITIAL	TOLERANCES TOLERANCES SET BY NUMBER OF DECIMAL PLACES. ie: 1 decimal - 0.0 = +/- 0.5mm 2 decimals - 0.00 = +/- 0.15mm ANGLES +/- 0.5 deg. ○ DENOTES CRITICAL DIMENSION	MATERIAL	SEE B.O.M	FINISH	SEE P/O FOR P/COAT COLOR	
CHECKED BY:	INITIAL		PROJECT	SYNETICOM	A3		
SCALE 1 : 15	SHEET 1 OF 2	DRAWING NO.	CRS-7547		FILENAME: CRS-7547_48RU 800e x 1200 D AFOT COMPLETE ASSY.dwg		
TITLE		48RU 800e x 1200 WIDE AFOT COMPLETE RACK ASSY		REV.	0	DATE	27/06/2016

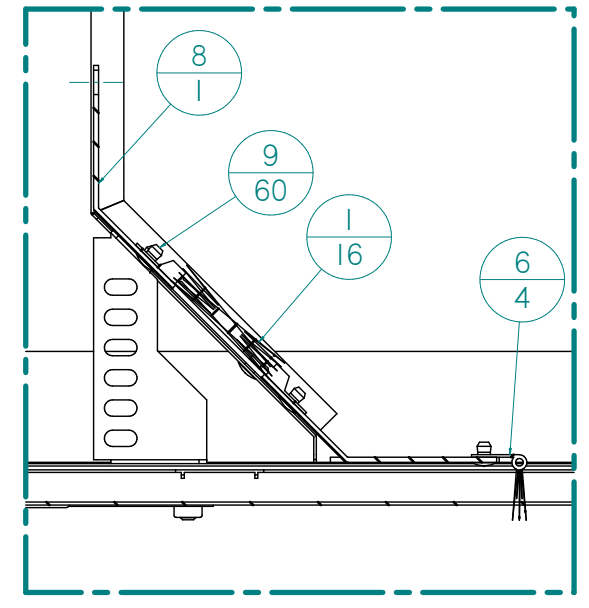
REV.	REVISION HISTORY	DATE
0	FIRST PRODUCTION RELEASE	24/06/2016



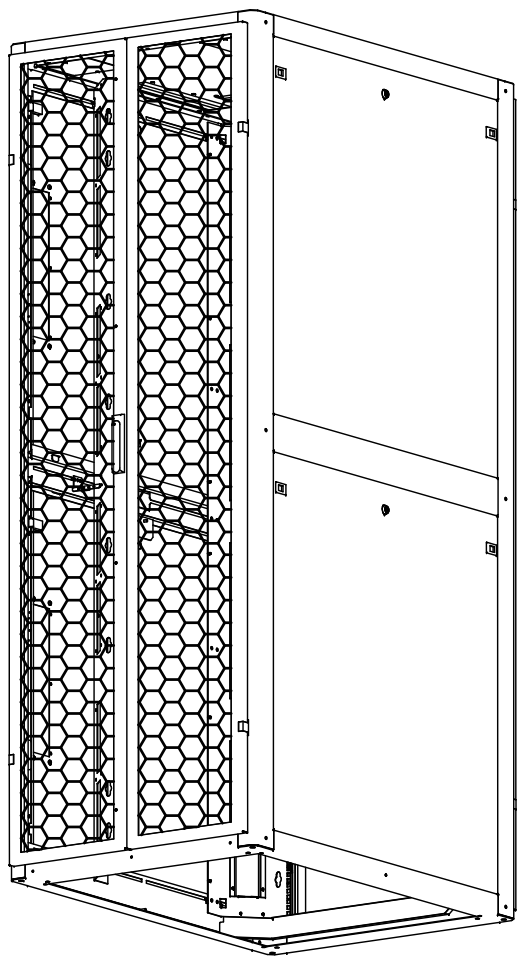
SIDE VIEW
1:30



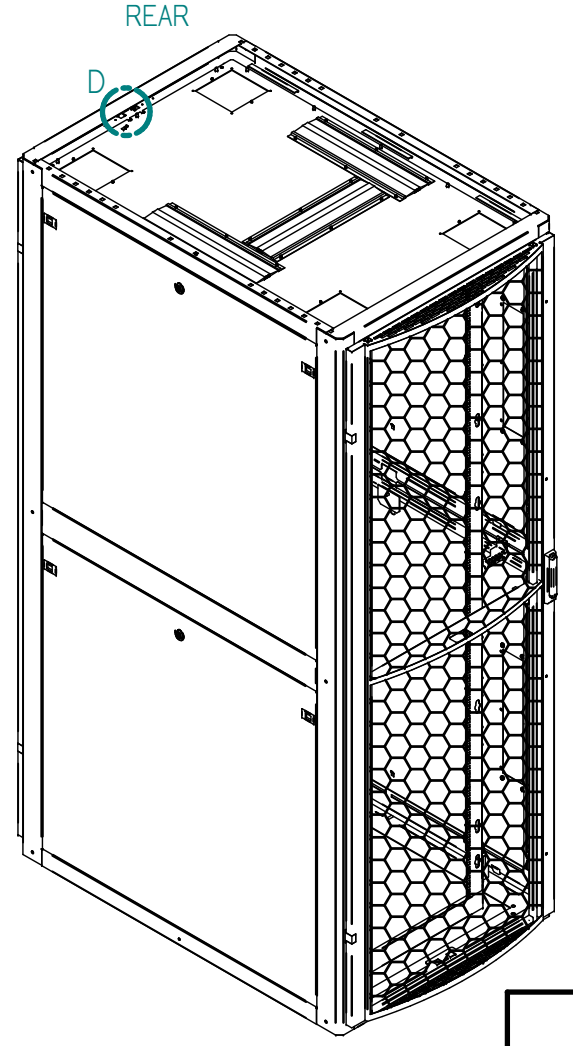
INSIDE TOP VIEW
SECTION B-B
1:12



DETAIL C
1:3



REAR PICTORIAL VIEW
NTS

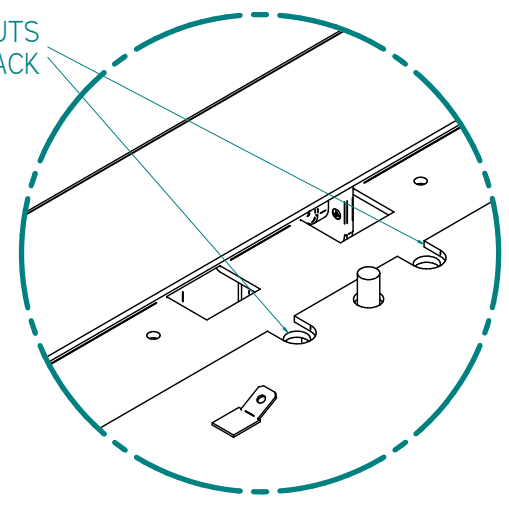


FRONT PICTORIAL VIEW
NTS

FRONT


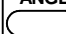
REAR

THESE CUTOUTS
AT REAR OF RACK



DETAIL D
1:2

ALL DIMENSIONS EXTERNAL UNLESS NOTED OTHERWISE

 CRS COMPUTER ROOM SOLUTIONS WWW.CR SOLUTIONS.COM.AU FLAT PATTERN DISCLAIMER AS INDIVIDUAL MANUFACTURERS TOOLING MAY VARY WIDELY IT IS THE MANUFACTURERS RESPONSIBILITY TO DETERMINE CORRECT FLAT SIZES OR WHETHER THE SUPPLIED FLAT DIMENSIONS ARE ACCURATE.	DRAWN BY: INITIAL	TOLERANCES TOLERANCES SET BY NUMBER OF DECIMAL PLACES. ie: 1 decimal - 0.0 = +/- 0.5mm 2 decimals - 0.00 = +/- 0.15mm ANGLES +/- 0.5 deg.  DENOTES CRITICAL DIMENSION	MATERIAL SEE B.O.M.	FINISH SEE P/O FOR P/COAT COLOR
	CHECKED BY: INITIAL		PROJECT SYNETICOM	A3
SCALE 1:15	SHEET 2 OF 2 AS 1100	DRAWING NO. CRS-7547	FILENAME: CRS-7547_48RU 800e x 1200 D AFOT COMPLETE ASSY.asm	
TITLE 48RU 800e x 1200 WIDE AFOT COMPLETE RACK ASSY		REV. 0	DATE 27/06/2016	