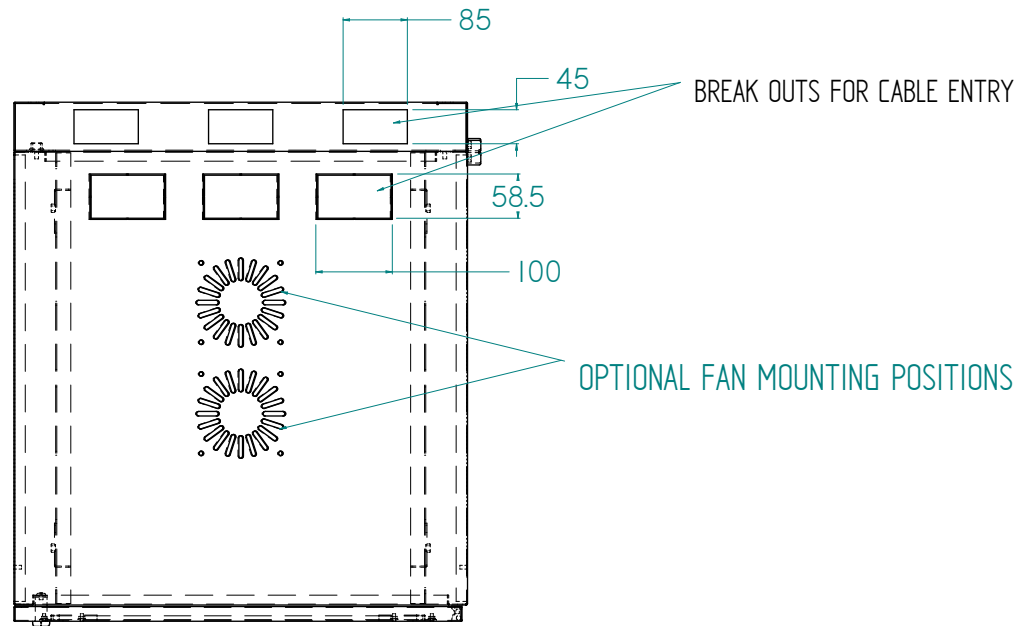
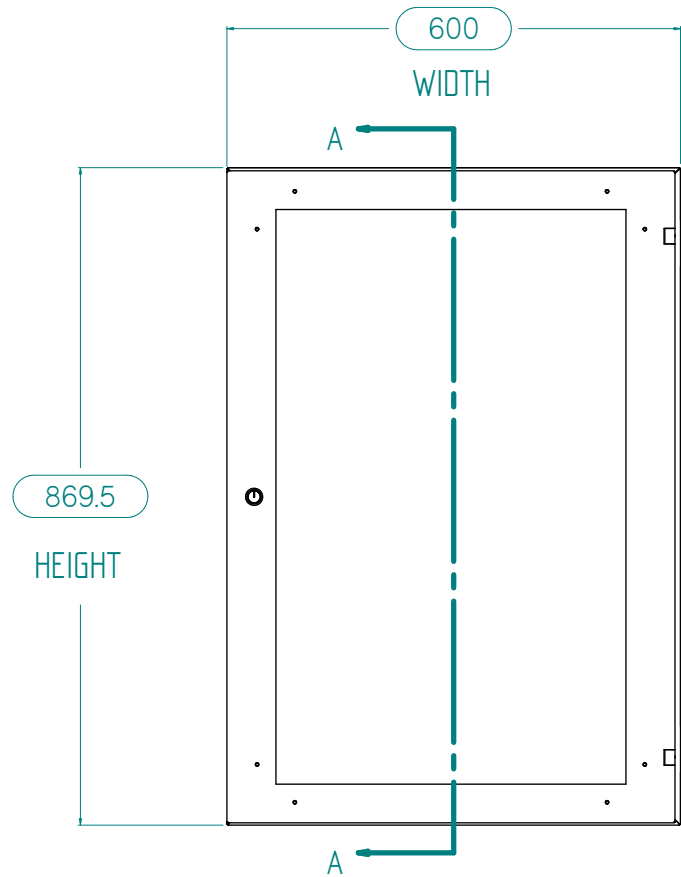


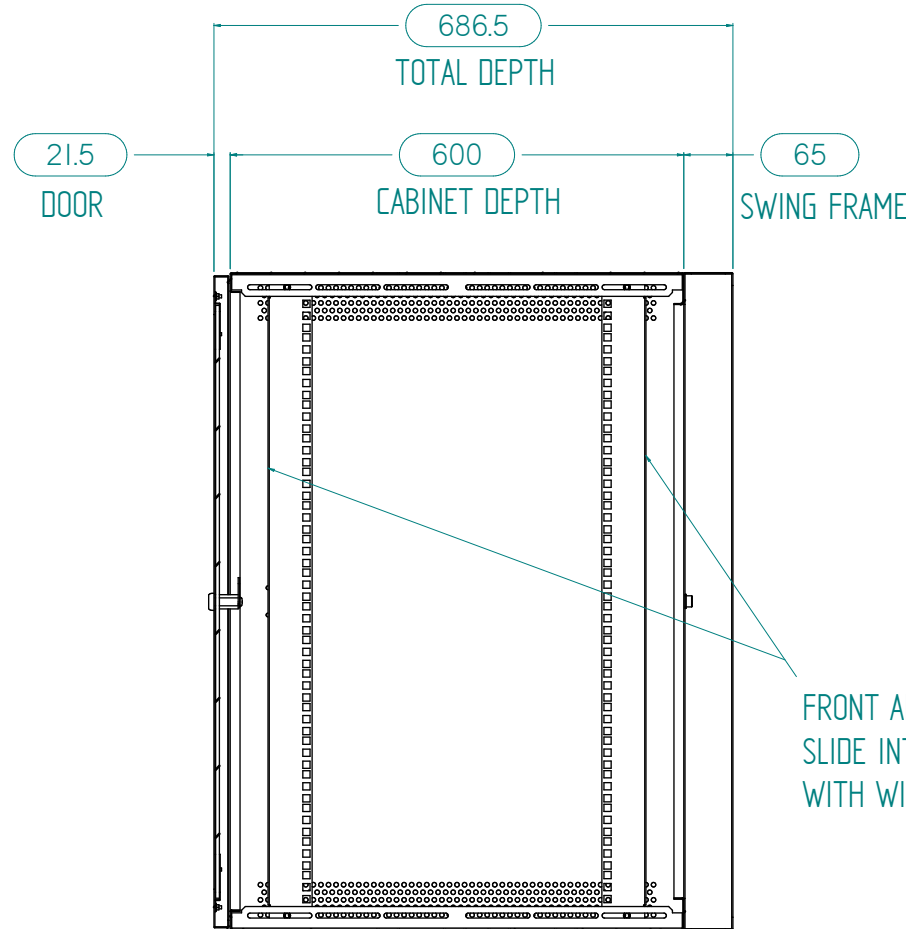
REV.	REVISION HISTORY	DATE
3	FIRST PRODUCTION RELEASE	27/11/2012



TOP VIEW
1:10



FRONT VIEW
1:10



SECTION A-A

REAR SWING FRAME MOUNTED TO WALL
CAN BE REVERSED TO SWING LEFT OR
RIGHT

MECHANICAL CLAMPS ON
ACRYLIC WINDOW

SINGLE POINT CAM LOCK

PIN REMOVEABLE
HINGES- DOOR CAN BE
REVERSED TO SWING
LEFT OR RIGHT

ISOMETRIC VIEW
1:12.5

ALL DIMENSIONS EXTERNAL UNLESS NOTED OTHERWISE

CRS	DRAWN BY:	INITIAL	TOLERANCES TOLERANCES SET BY NUMBER OF DECIMAL PLACES. ie: 1 decimal - 0.0 = +/- 0.5mm 2 decimals-0.00 = +/- 0.15mm ANGLES +/- 0.5 deg. ○ DENOTES CRITICAL DIMENSION	MATERIAL	FINISH GREY NURSE TEXTURE POWDER COATED
	CHECKED BY:	INITIAL		PROJECT WALL MOUNT CABINET	A3
<small>FLAT PATTERN DISCLAIMER AS INDIVIDUAL MANUFACTURERS TOOLING MAY VARY WIDELY IT IS THE MANUFACTURERS RESPONSIBILITY TO DETERMINE CORRECT FLAT SIZES OR WHETHER THE SUPPLIED FLAT DIMENSIONS ARE ACCURATE</small>	SHEET 1 OF 1 AS 1100		DRAWING NO. 18-600-000-wmf	FILENAME: 18-600-000_WALLFRAME.asm	
<small>THIS DRAWING AND ALL INFORMATION AND DESIGNS WITHIN ARE THE PROPERTY OF C.R.S. THE USE OF THE DESIGNS, COPYING IN WHOLE OR PART IS FORBIDDEN WITHOUT THE WRITTEN PERMISSION OF C.R.S. COPYRIGHTS RESERVED.</small>			TITLE GENERAL ASSY.18RU CABINET	REV. 3	DATE 27/11/2012