

1

2

3

4

5

6

A

A

B

B

C

C

D

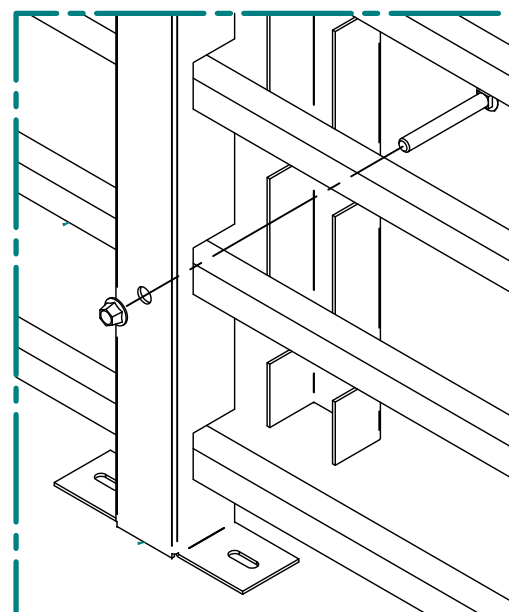
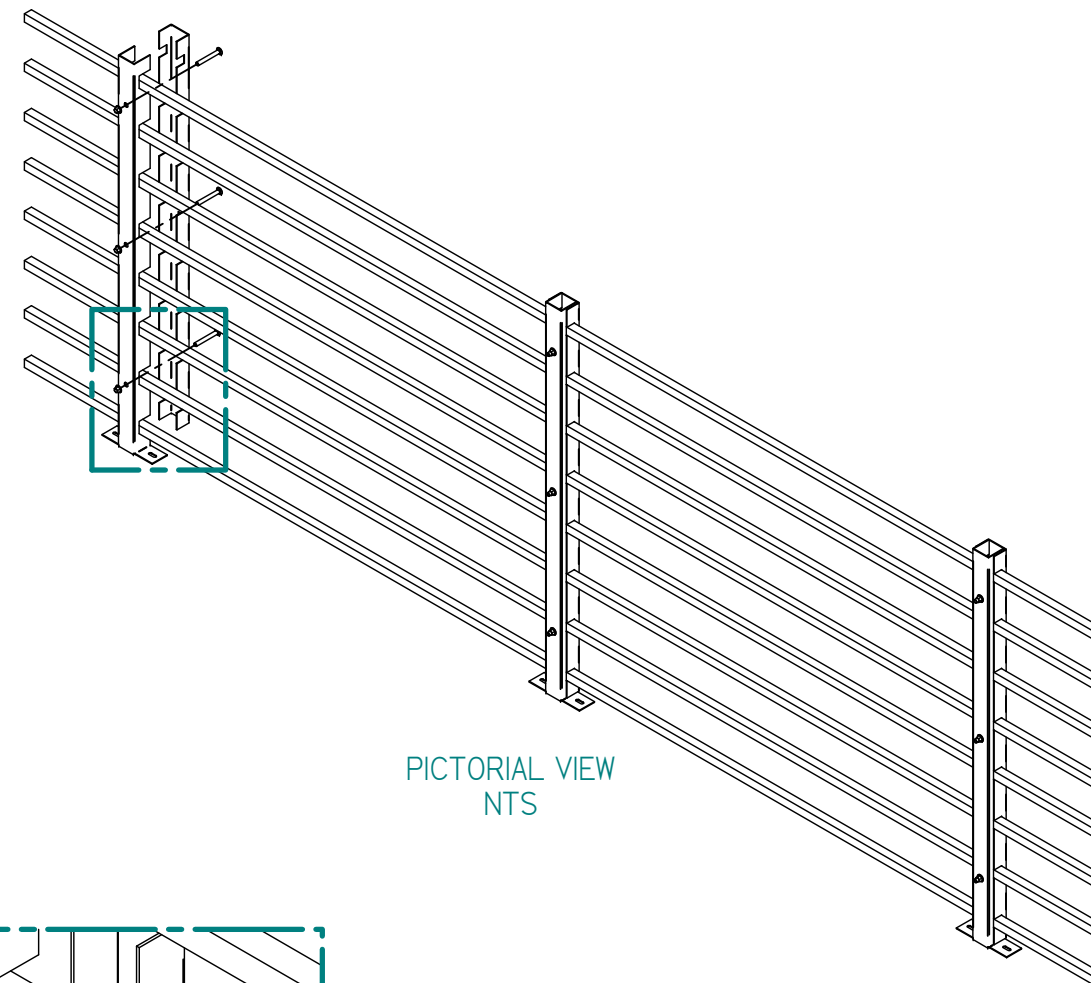
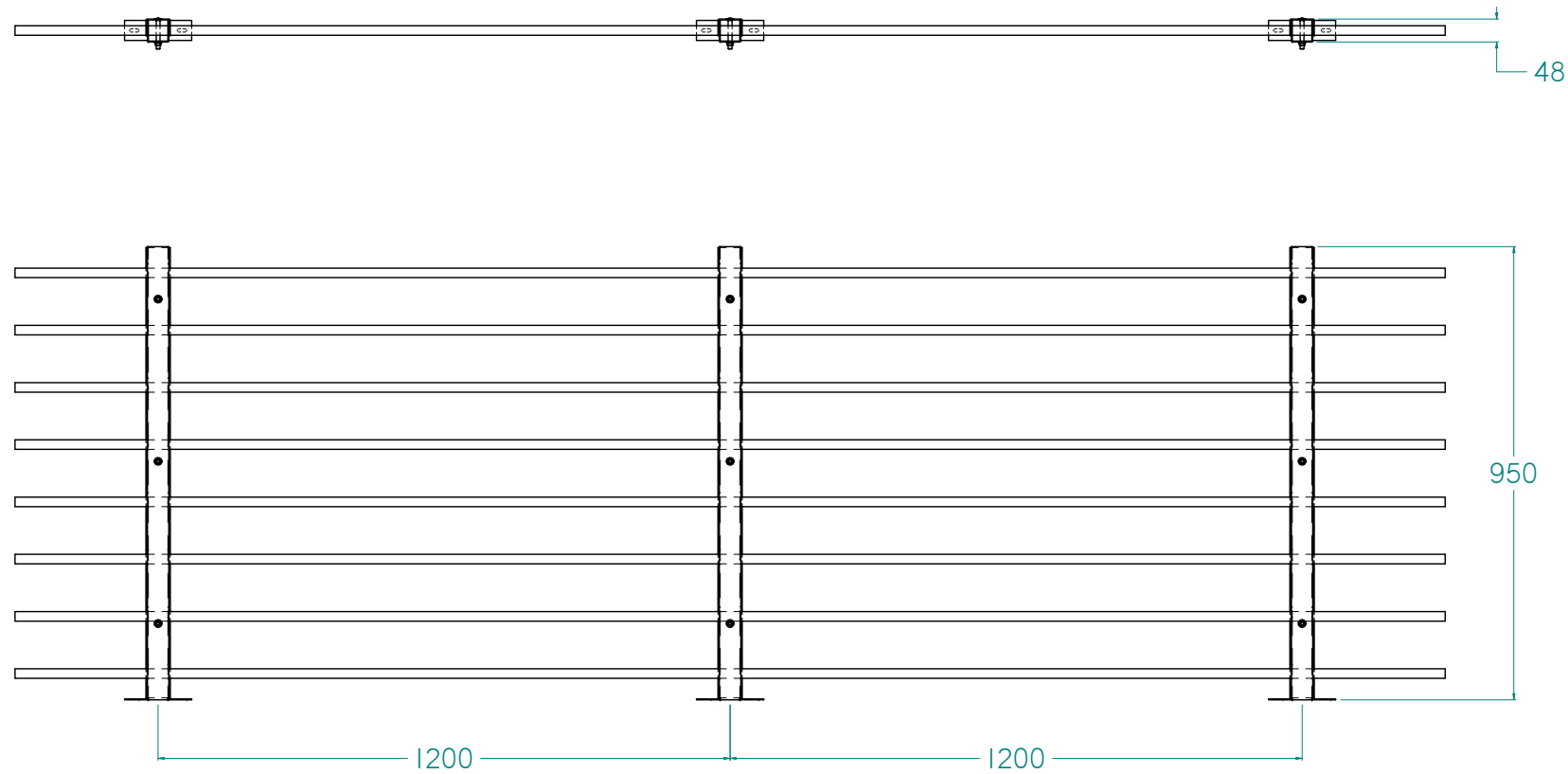
D

E

E

F

F



CRS

COMPUTER ROOM SOLUTIONS

1

2

3

4

5

6