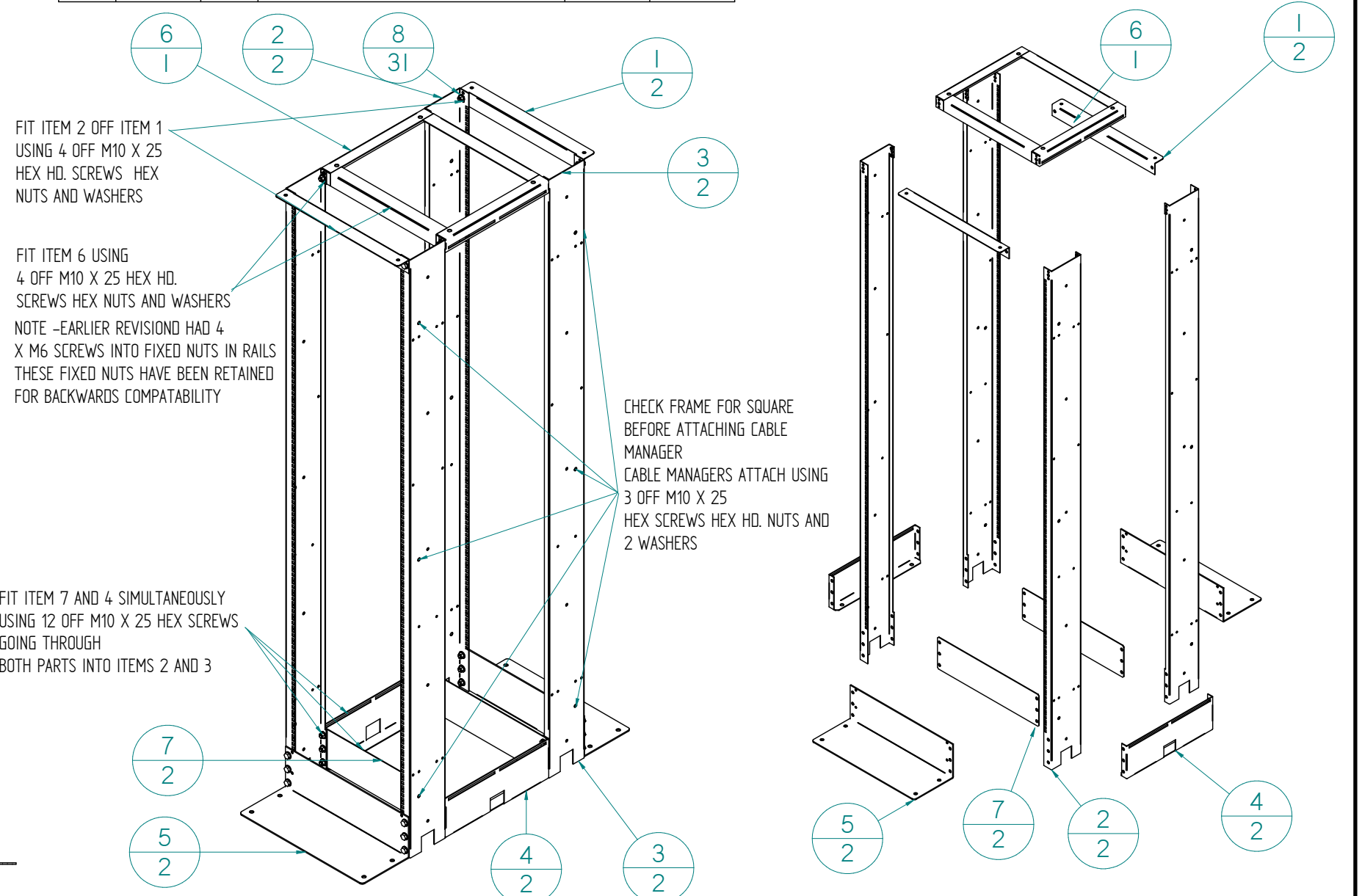
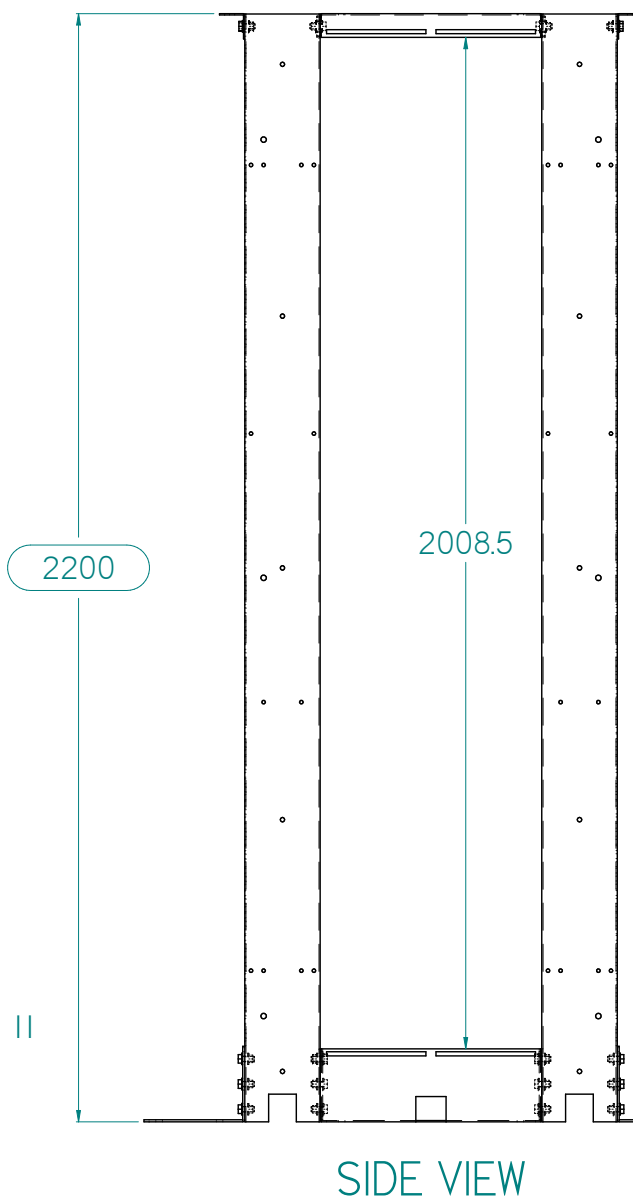
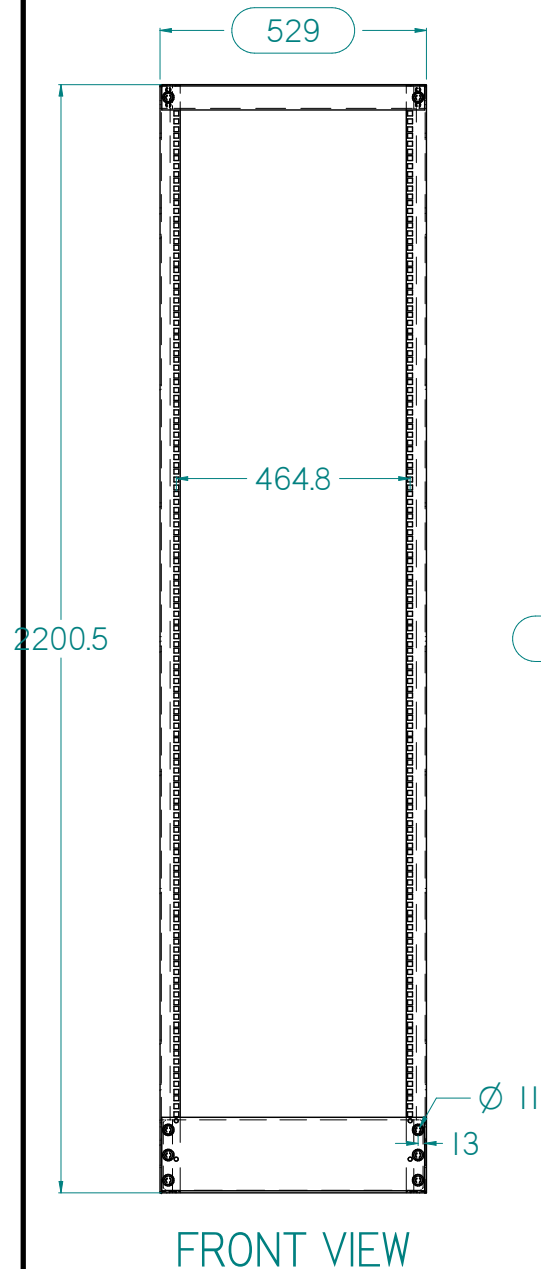


Item Number	Document Number	Revision	Title	Material	Quantity
1	CRS-1302	3	TOP TIE LABRACK 19"	2.50 M.S	2
2	CRS-1691	4	45RU_VRAIL-PQF-RH		2
3	CRS-1692	4	45RU_VRAIL-PQF-LH		2
4	CRS-1693	2	BRACE BASE PQF	2.50 M.S	2
5	CRS-2447	2	BOTTOM CROSS DOUBLE PATCHRACK	SUB ASSY.	2
6	CRS-2722	1	WELDED TOP FRAME PRO QUADRA	SUB ASSY.	1
7	CRS-2725	0	LOWER FRAME BRACE	2.5 Mild Steel	2
8	M10 X 25 SCREW-NUT-WASHERS		M10 X 25 SCREW-NUT-WASHERS	SUB ASSY.	31

REV.	REVISION HISTORY	DATE
0	FIRST PRODUCTION RELEASE	10/03/2014
1	ALL FIXING BOLT HOLES CHANGED TO 11mm DIA.	
2	WELDED TOP FRAME ADDED - LARGER HOLES FOR DUCT MOUNTING ADDED- ITEM 7 - LOWER BRACE ADDED 2 PLACES	27-04-2010
3	HOR. RAIL SLOTS ADDED TO TOP/BOT FRAMES	28/02/2011
4	MIDDLE RU HOLE ADDED TO LEFT AND RIGHT HAND VERTICAL RAIL	23/08/2013



NOTE: ALL DIMENSIONS EXTERNAL UNLESS NOTED OTHERWISE

<b>CRS</b>	DRAWN BY:	INITIAL	<b>TOLERANCES</b> TOLERANCES SET BY NUMBER OF DECIMAL PLACES. ie: 1 decimal - 0.0 = +/- 0.5mm 2 decimals-0.00 = +/- 0.15mm ANGLES +/- 0.5 deg. ○ DENOTES CRITICAL DIMENSION	MATERIAL	FINISH
	CHECKED BY:	INITIAL		PROJECT	SATIN BLACK
FLAT PATTERN DISCLAIMER AS INDIVIDUAL MANUFACTURERS TOOLING MAY VARY WIDELY IT IS THE MANUFACTURERS RESPONSIBILITY TO DETERMINE CORRECT FLAT SIZES OR WHETHER THE SUPPLIED FLAT DIMENSIONS ARE ACCURATE	SHEET 1 OF 1	DRAWING NO.	FILENAME:	A3	
THIS DRAWING AND ALL INFORMATION AND DESIGNS WITHIN ARE THE PROPERTY OF C.R.S. THE USE OF THE DESIGNS, COPYING IN WHOLE OR PART IS FORBIDDEN WITHOUT THE WRITTEN PERMISSION OF C.R.S. COPYRIGHTS RESERVED.	AS 1100	CRS-1695	CRS-1695_PRO-QUADRA GENERAL ASSY.asm		
		TITLE	REV.	DATE	
		PRO QUADRA RACK FRAME ASSY	4	29/06/2015	